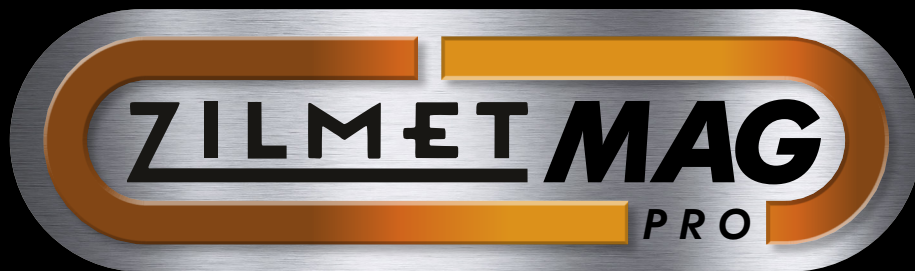




made in italy - globally renowned

IT'S ALL IN THE NAME



MAGNETIC SYSTEM HUB

Zilmet Mag is the all new plant room necessity, comprising of a magnetic filter, dirt separator, chemical dosing point, manual and automatic de-airating function. Proving to be the perfect all-in-one solution for installations where space and servicing schedules are to be kept to a minimum and there is a critical requirement to keep heating systems operating as efficiently as possible.



- Various Inlet Connection Sizes Ranging from ½" NPT - 2" NPT Quick and Efficient Servicing Schedule
- Self Closing Filter Basket for Easy Debris Removal
- Multiple Inlet Configurations to Suit Many Installations Manual and Automatic Air Venting
- Mesh Particle Filtration Down to 100 Microns

AVAILABLE FROM ZILMET:

CAL-PRO
BY ZILMET

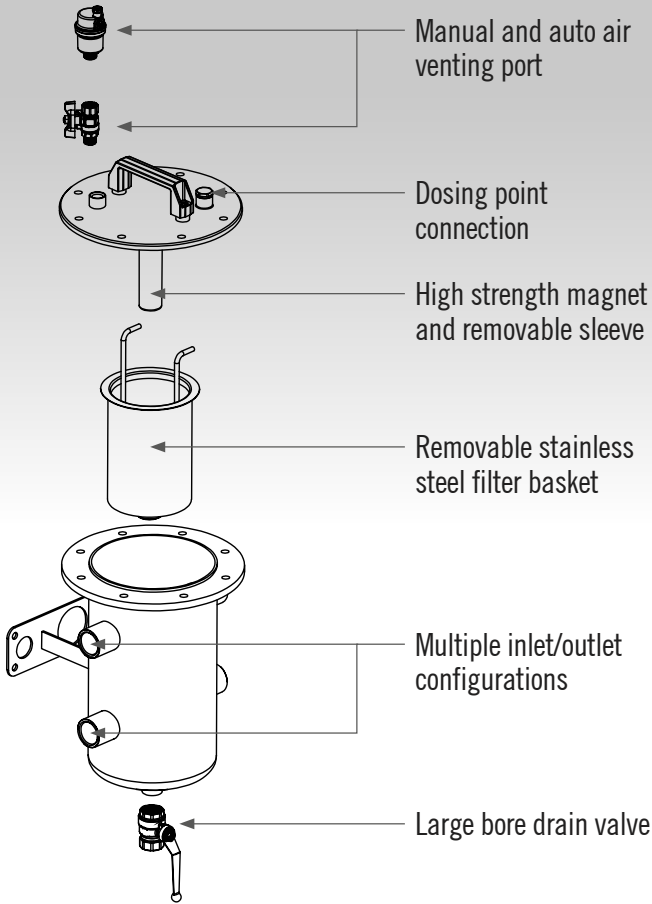
HYDRO-PLUS
BY ZILMET

EASY-PRO
BY ZILMET

ZILMET FLATS
BY ZILMET

5 YEAR
WARRANTY

WWW.ZILMETUSA.COM
T. (401) 884 4943

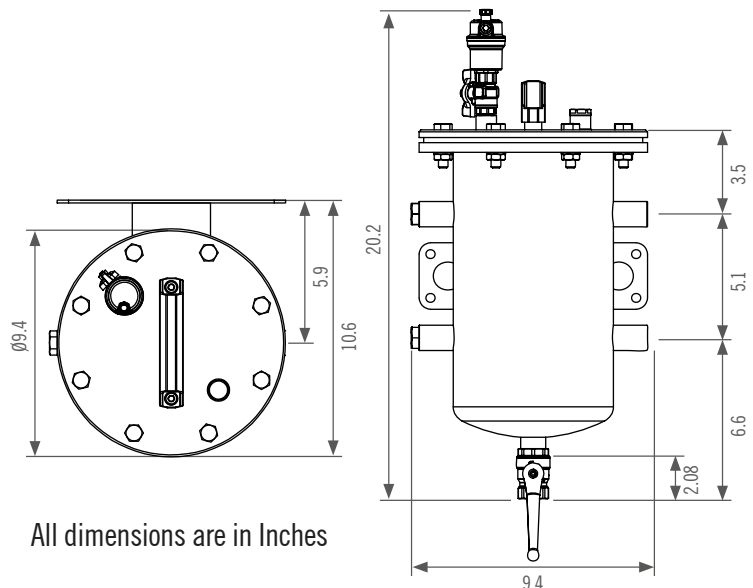


FEATURES

- Integral stainless steel filter basket with 100 micron mesh gauze.
- Filter basket incorporates a self closing valve to prevent impurities from falling into the filter.
- Fitted with a dosage point to add treatment fluids easily, for dosing pot see Accessory Pack.
- Option of in-line or by-pass installation on a heating system.
- Reduced maintenance cost.
- Magnets protected from contact with water making it easier to maintain.
- The large water content extends maintenance intervals.
- The possibility of cleaning the filter without draining system.
- Anti-condensation insulation jacket also available upon request.

PRODUCT RANGE AND DIMENSIONS

DESCRIPTION	PART CODE
Zilmet X MAG Pro ½" NPT	ZM02
Zilmet X MAG Pro ¾" NPT	ZM03
Zilmet X MAG Pro 1" NPT	ZM10
Zilmet X MAG Pro 1¼" NPT	ZM11
Zilmet X MAG Pro 1½" NPT	ZM12
Zilmet X MAG Pro 2" NPT	ZM20



All dimensions are in Inches



Zilmet USA, 400 Frenchtown Road, East Greenwich, RI 02818
 T. (401) 884 4943
 E. info@zilmetusa.com

WWW.ZILMETUSA.COM

