



Submittal Form
ZELA Series
 Hydronic Expansion Tank with
 Replaceable Bladder

Company Name: _____	Contact: _____
Bill to: _____	Date: _____
_____	Purchase Order No. _____
Ship to: _____	Notes _____
_____	_____

Description

Zilmet USA ZELA Tanks are ASME removable bladder type pre-charged expansion tanks. They are designed to absorb the expansion forces and control the pressure in heating/cooling systems. The system's expanded water (fully compatible with water/glycol mixtures) is contained in a full acceptance heavy-duty butyl bladder that prevents tank corrosion and waterlogging problems. All ZELA expansion tanks can be installed vertically or horizontally.

Construction

Shell: Carbon Steel
 Bladder: Heavy Duty Butyl
 System Connection: Carbon Steel

Performance Limitations

Maximum Design Temperature: 240°F
 Maximum Design Pressure: 125 PSIG*

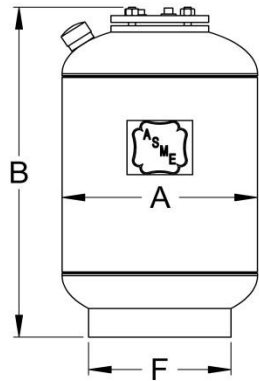
*200 & 250 PSIG available

Model Number	Part Number	Tank Volume (gallons)	Tagging Information	Quantity
ZELA-35	22010035	10		
ZELA-50	22010050	13		
ZELA-85	22010085	23		
ZELA-130	22010130	35		
ZELA-200	22010200	53		
ZELA-300	22010300	79		
ZELA-400	22010400	106		
ZELA-500	22010500	132		
ZELA-600	22010500	158		
ZELA-800L	22010805	211		

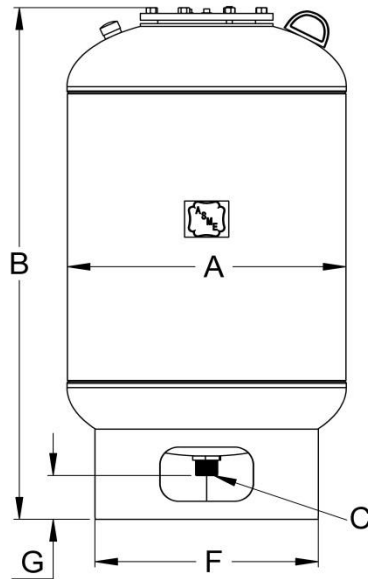
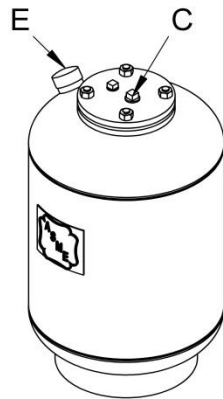
Typical Specification

Furnish and install, as shown on plans, a _____ gallon _____" diameter X _____" (high) pre-charged steel expansion tank with heavy-duty butyl bladder. The tank shall have NPT system connections and a 0.302"-32 charging valve connection (standard tire valve) to facilitate the on-site charging of the tank to meet system requirements. The tank must be constructed in accordance with most recent addendum of Section VIII Division 1 of the ASME Boiler and Pressure Vessel Code.

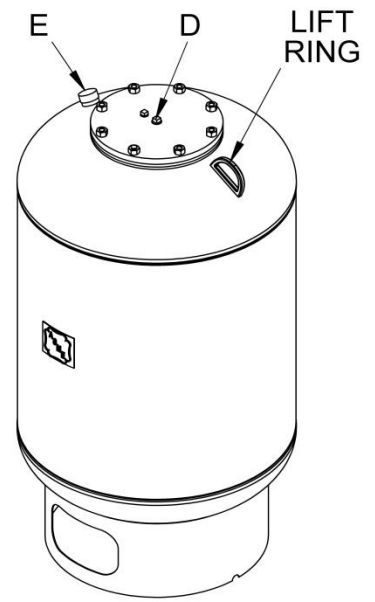
Each tank shall be Zilmet USA model number ZELA-_____ or approved equal.



ZELA-35 and ZELA-50



ZELA-85 thru ZELA-800L



Model Number	Dimension in Inches						Approx Ship Wt. (lbs)				
	A	B	System Connection		Charging Valve	F		G			
			C	D	E						
ZELA-35	12	23 1/2	3/4	-	0.302" - 32NC	10	-	40			
ZELA-50	14	24		-		10	-	50			
ZELA-85	16	37	1	1/2		12	5 1/2	90			
ZELA-130	20					16		125			
ZELA-200	24	43	1 1/2	3/4		0.302" - 32NC	20	5 1/4	210		
ZELA-300		55							225		
ZELA-400	30	49			3/4		0.302" - 32NC		24	5 1/4	300
ZELA-500		57									335
ZELA-600		65									360
ZELA-800L		76									475

Notes

- Tanks are factory pre-charged at 12 psi and field adjustable.
- California code-sight glass is available upon request.
- Both top and bottom connections (C and D) access the bladder.
- Available with mounting clips.



Submittal Form
ZELA Series
Hydronic Expansion Tank with
Replaceable Bladder

Company Name: _____	Contact: _____
Bill to: _____	Date: _____
_____	Purchase Order No. _____
Ship to: _____	Notes _____
_____	_____

Description

Zilmet USA ZELA Tanks are ASME removable bladder type pre-charged expansion tanks. They are designed to absorb the expansion forces and control the pressure in heating/cooling systems. The system's expanded water (fully compatible with water/glycol mixtures) is contained in a full acceptance heavy-duty butyl bladder that prevents tank corrosion and waterlogging problems. All ZELA expansion tanks can be installed vertically or horizontally.

Construction

Shell: Carbon Steel
Bladder: Heavy Duty Butyl
System Connection: Carbon Steel

Performance Limitations

Maximum Design Temperature: 240°F
Maximum Design Pressure: 125 PSIG*

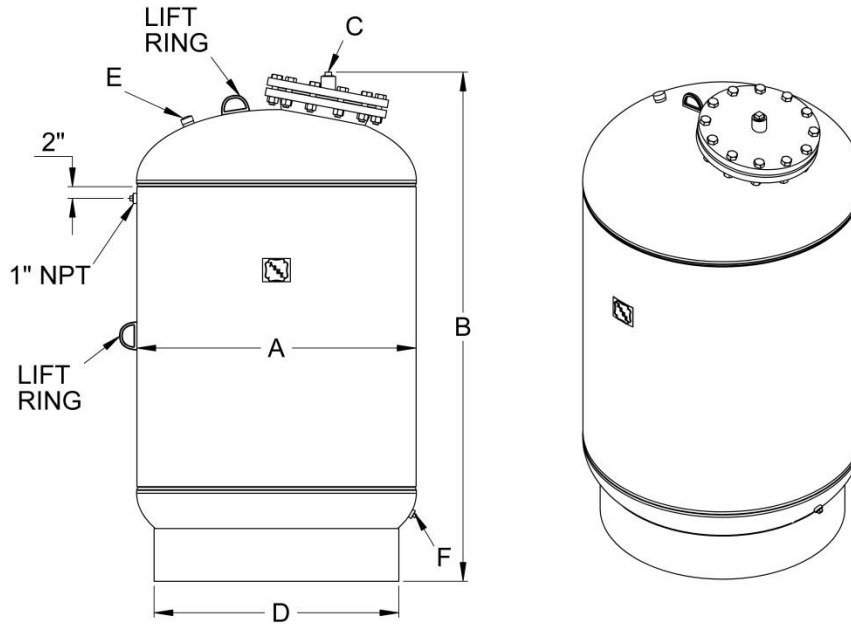
*200 & 250 PSIG available

Model Number	Part Number	Tank Volume (Gallons)	Tagging Information	Quantity
ZELA-1000	22011000	264		
ZELA-1200	22011200	317		
ZELA-1400	22011400	370		
ZELA-1600	22011600	422		
ZELA-2000	22012000	528		
ZELA-2500	22012500	660		
ZELA-3000L	22013000	792		
ZELA-3000S	22013001	792		
ZELA-4000	22014000	1056		
ZELA-5000	22015000	1320		
ZELA-7500	22017500	1980		
ZELA-10000	22019999	2640		
ZELA-15000	22019998	3963		

Typical Specification

Furnish and install, as shown on plans, a _____ gallon _____" diameter X _____" (high) pre-charged steel expansion tank with heavy-duty butyl bladder. The tank shall have NPT system connections and a 0.302"-32 charging valve connection (standard tire valve) to facilitate the on-site charging of the tank to meet system requirements. The tank shall be fitted with lifting rings and a floor mounting skirt for vertical installation. The tank must be constructed in accordance with most recent addendum of Section VIII Division 1 of the ASME Boiler and Pressure Vessel Code.

Each tank shall be Zilmet USA model number ZELA-_____ or approved equal.



ZELA-1000 thru ZELA-15000

Model Number	Dimensions in Inches						Approx. Ship Wt. (lbs)
	A	B	System Connection	D	Charging Valve	Drain	
			C		E	F	
ZELA-1000	36	75	1 1/2	30	0.302" -32NC	3/4	710
ZELA-1200		87					720
ZELA-1400		99					875
ZELA-1600	48	74	2	42	0.302" -32NC	1	1100
ZELA-2000		87					1280
ZELA-2500		95					1435
ZELA-3000L	60	122	3	54	0.302" -32NC	1	1550
ZELA-3000S		80					2169
ZELA-4000		102					2638
ZELA-5000	72	125	3	66	0.302" -32NC	1	3246
ZELA-7500		127					4005
ZELA-10000		159					4845
ZELA-15000		233					5925

Notes

- Tanks are factory pre-charged at 12 psi and field adjustable.
- California code-sight glass is available upon request.
- Available with mounting clips.
- Tanks installed horizontally must have the system connection below the horizontal centerline of the tank.



Submittal Form
ZTTA Series
Thermal Expansion Tank
with Fixed Diaphragm

Company Name: _____	Contact: _____
Bill to: _____	Date: _____
_____	Purchase Order No. _____
Ship to: _____	Notes _____
_____	_____

Description

Zilmet USA ZTTA series are ASME fixed bladder type pre-charged thermal expansion tanks for commercial and industrial potable hot water applications. They are designed to be installed between a backflow preventor and a hot water heater to accept the expanded volume of hot water keeping the system pressure below the relief valve setting. The water is contained in a butyl bladder.

Construction

Shell: Carbon Steel
 Bladder: Heavy-duty Butyl (FDA Approved)
 System Connection: Stainless Steel

Performance Limitations

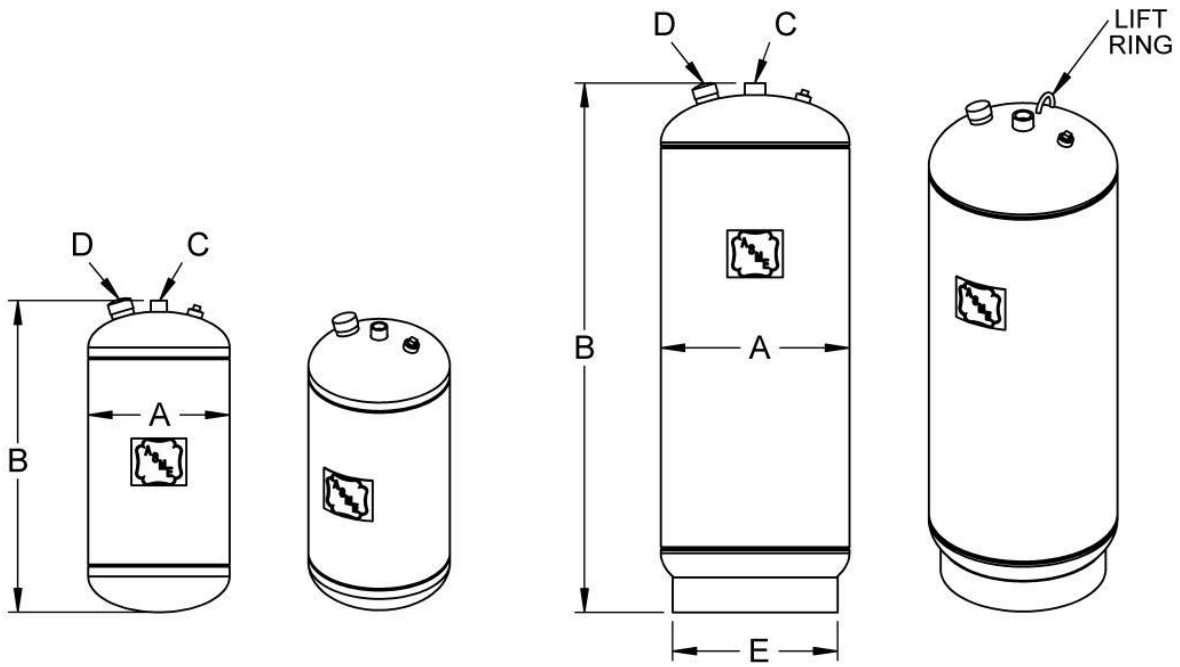
Maximum Design Temperature: 240°F
 Maximum Design Pressure: 150 PSIG*

*200 & 250 PSIG available

Model Number	Part Number	Tank Volume (Gallons)	Acceptance Volume (Gallons)	Tagging Information	Quantity
ZTTA-5	18020005	3.5	2.3		
ZTTA-12	18020012	5	3.3		
ZTTA-20	18020020	8	5.3		
ZTTA-30	18020030	15	10		
ZTTA-42	18020042	22	14.5		
ZTTA-60	18020060	26	17.5		
ZTTA-80	18020080	35	23.5		
ZTTA-100	18020100	45	30		
ZTTA-125	18020125	60	40		
ZTTA-160	18020160	70	47		
ZTTA-180	18020180	80	53		
ZTTA-210	18020210	90	60		

Furnish and install, as shown on plans, a _____ gallon _____" diameter X _____" (high) pre-charged steel thermal expansion tank with a fixed FDA approved heavy-duty butyl diaphragm. The tank shall be equipped with a NPT stainless steel system connection and a 0.302"-32 charging valve connection (standard tire valve) to facilitate the on-site charging of the tank to meet system requirements. The tank must be constructed in accordance with most recent addendum of Section VIII Division 1 of the ASME Boiler and Pressure Vessel Code, and stamped 150 psi working pressure.

Each tank shall be Zilmet USA model number ZTTA-_____ or approved equal.



ZTTA-5 & ZTTA-12

ZTTA-20 thru ZTTA-210

Model Number	Dimensions in Inches					Approx. Ship Weight (lbs)
	A	B	System Connection	Charging Valve	E	
			C	D		
ZTTA-5	10	14	3/4	0.302" -32NC	-	22
ZTTA-12	12	14			-	28
ZTTA-20		20			10	34
ZTTA-30	16	23	1	0.302" -32NC	14	64
ZTTA-42		31				88
ZTTA-60		34				93
ZTTA-80		45				109
ZTTA-100	20	39	1	0.302" -32NC	18	148
ZTTA-125		50				175
ZTTA-160	24	47	1	0.302" -32NC	22	259
ZTTA-180		50				268
ZTTA-210		53				283

Notes

- Tanks are factory pre-charged at 40 psi and field adjustable.
- California code-sight glass is available upon request.
- Lift ring on models ZTTA-20 thru TTA-210
- Available with mounting clips.



Submittal Form
ZTXA Series
 Thermal Expansion Tank with
 Replaceable Bladder

Company Name: _____	Contact: _____
Bill to: _____	Date: _____
_____	Purchase Order No. _____
Ship to: _____	Notes _____
_____	_____

Description

Zilmet USA type ZTXA tanks are ASME replaceable bladder type pre-charged thermal expansion tanks for commercial and industrial potable hot water applications. They are designed to be installed between a backflow preventer and a hot water heater so it can accept the expanded volume of hot water and keep the system pressure below the relief valve setting. The water is contained in a butyl bladder. All ZTXA expansion tanks can be installed vertically or horizontally.

Construction

Shell: Carbon Steel
 Bladder: Heavy-duty Butyl (FDA Approved)
 System Connection: Stainless Steel

Performance Limitations

Maximum Design Temperature: 240°F
 Maximum Design Pressure: 150 PSIG*

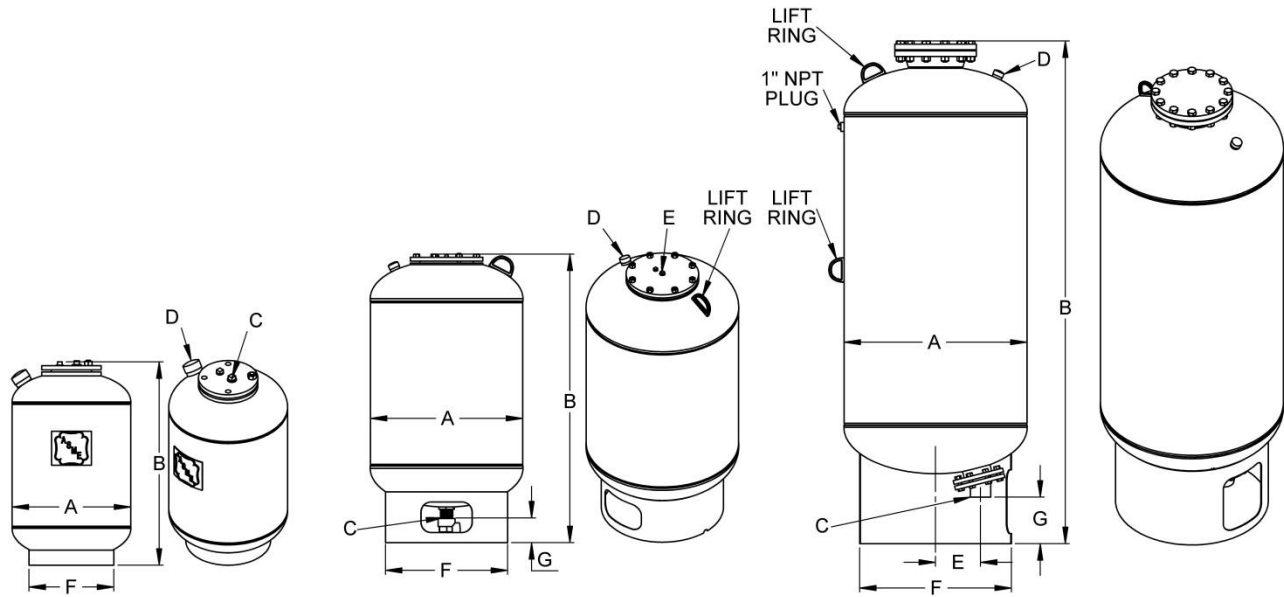
*200 & 250 PSIG available

Model Number	Part Number	Tank Volume (Gallons)	Tagging Information	Quantity
ZTXA-35	20010035	10		
ZTXA-50	20010050	13		
ZTXA-85	20010085	23		
ZTXA-130	20010130	35		
ZTXA-200	20010200	53		
ZTXA-300	20010300	79		
ZTXA-400	20010400	106		
ZTXA-500	20010500	132		
ZTXA-600	20010500	158		
ZTXA-800L	20010805	211		
ZTXA-1000	20011000	264		
ZTXA-1200	20011200	317		
ZTXA-1400	20011400	370		
ZTXA-1600	20011600	422		
ZTXA-2000	20012000	528		

Typical Specification

Furnish and install, as shown on plans, a _____ gallon _____" diameter X _____" (high) pre-charged steel thermal expansion tank with replaceable FDA approved butyl bladder. The tank shall have a bottom NPT stainless steel system connection and a 0.302"-32 charging valve connection (standard tire valve) to facilitate the on-site charging of the tank to meet system requirements. The tank shall be fitted with lifting rings and a floor mounting skirt for vertical installation. The tank must be constructed in accordance with most recent addendum of Section VIII Division 1 of the ASME Boiler and Pressure Vessel Code and stamped 150 psi working pressure.

Each tank shall be Zilmet USA model number ZTXA-_____ or approved equal.



ZTXA-35 & ZTXA-50

ZTXA-85 thru ZTXA-800L

ZTXA-1000 thru ZTXA-2000

Model Number	Dimension in Inches							Approx. Ship Wt. (lbs)	
	A	B	System Connection C	Charging Valve D	E	F	G		
ZTXA-35	12	23 1/2	3/4	0.302" - 32NC	-	10	-	40	
ZTXA-50	14	24				50			
ZTXA-85	16	37	1			12	5 1/4	90	
ZTXA-130	20					16		132	
ZTXA-200	24	43	1 1/2			20		220	
ZTXA-300		55				236			
ZTXA-400	30	49	2			24		4 3/4	315
ZTXA-500		57							347
ZTXA-600	32	65	3			28	8	378	
ZTXA-800L		76						503	
ZTXA-1000	36	86 1/2	3			8	30	8	795
ZTXA-1200		98 1/2							820
ZTXA-1400		110 1/2		980					
ZTXA-1600		48		84	9				42
ZTXA-2000	96		1525						

Notes

- Tanks are factory pre-charged at 40 psi and field adjustable.
- California code-sight glass is available upon request.
- Available with mounting clips.



Submittal Form
ZETA Series
 Hydronic Expansion Tank with
 Fixed Diaphragm

Company Name: _____	Contact: _____
Bill to: _____	Date: _____
_____	Purchase Order No. _____
Ship to: _____	Notes _____
_____	_____

Description

Zilmet USA ZETA series are ASME fixed diaphragm type pre-charged expansion tanks. They are designed to absorb the expansion forces and control the pressure in heating/cooling systems. The system's expanded water (fully compatible with water/glycol mixtures) is contained in heavy-duty diaphragm that prevents tank corrosion and waterlogging problems. All ZETA expansion tanks can be installed vertically or horizontally.

Construction

Shell: Carbon Steel
 Bladder: Heavy Duty Butyl
 System Connection: Carbon Steel

Performance Limitations

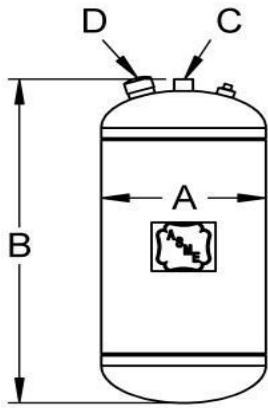
Maximum Design Temperature: 240°F
 Maximum Design Pressure: 125 PSIG*
 ZETA 15 thru ZETA 60: 150 PSIG*
 ZETA 80 thru ZETA 280: 125 PSIG*
 *200 & 250 PSIG available

Model Number	Part Number	Tank Volume(Gal)	Acceptance Volume (Gal.)	Tagging Information	Quantity
ZETA-15	19010015	7.8	6.3		
ZETA-20	19010020	10.9	8.8		
ZETA-40	19010040	25	20.2		
ZETA-60	19010060	35	28		
ZETA-80	19010080	45	36		
ZETA-100	19010100	60	48.5		
ZETA-120	19010120	70	56.5		
ZETA-144	19010144	80	65		
ZETA-180	19010180	90	73		
ZETA-200	19010200	115	93		
ZETA-240	19010240	140	113.5		
ZETA-260	19010260	158	128		
ZETA-280	19010280	211	171		

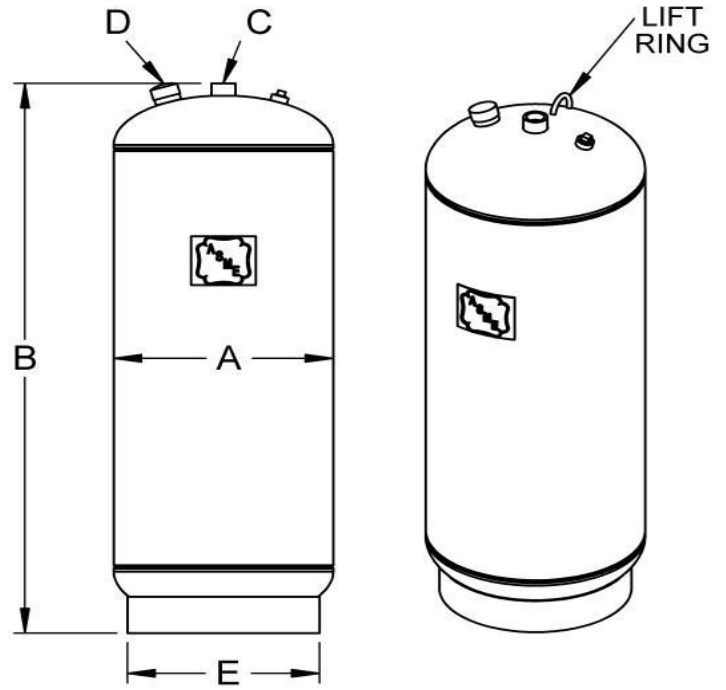
Typical Specification

Furnish and install, as shown on plans, a _____ gallon _____" diameter X _____" (high) pre-charged steel expansion tank with a fixed heavy-duty butyl diaphragm. The tank shall be equipped with a NPT system connection, and a 0.302"-32 charging valve connection (standard tire valve) to facilitate the on-site charging of the tank to meet system requirements. The tank must be constructed in accordance with most recent addendum of Section VIII Division 1 of the ASME Boiler and Pressure Vessel Code.

Each tank shall be Zilmet USA model number ZETA-_____ or approved equal.



ZETA-15 & ZETA-40



ZETA-40 thru ZETA-280

Model Number	Dimensions in Inches					Approx. Ship Weight (lbs)	
	A	B	System Connection	Charging Valve	E		
			C	D			
ZETA-15	12	19	3/4	0.302" -32NC	-	42	
ZETA-20		25				52	
ZETA-40	16	34	1		14	84	
ZETA-60		45				97	
ZETA-80	20	39	1 1/2		18	148	
ZETA-100		50				175	
ZETA-120	24	47			22	22	259
ZETA-144		50					268
ZETA-180		53					283
ZETA-200		67					325
ZETA-240	30	79			24	24	362
ZETA-260		64					591
ZETA-280		82		752			

Notes

- Tanks are factory pre-charged at 12 psi and field adjustable.
- California code-sight glass is available upon request.
- Available with mounting clips.



Submittal Form
ZHXA Series
 Hydro-Pneumatic Tank with
 Replaceable Bladder

Company Name: _____	Contact: _____
Bill to: _____	Date: _____
_____	Purchase Order No. _____
Ship to: _____	Notes _____
_____	_____

Description

Zilmet USA type ZHXA tanks are ASME replaceable bladder type pre-charged hydro-pneumatic tanks for commercial and industrial well and water systems, booster systems, or other potable water applications. They are designed to deliver water under pressure between pump cycles to provide sufficient flow to meet demands. The water is contained in a butyl bladder. All ZHXA hydro-pneumatic tanks can be installed vertically or horizontally.

Construction

Shell: Carbon Steel
 Bladder: Heavy Duty Butyl (FDA Approved)
 System Connection: Epoxy lined

Performance Limitations

Maximum Design Temperature: 240°F
 Maximum Design Pressure: 125 PSIG*

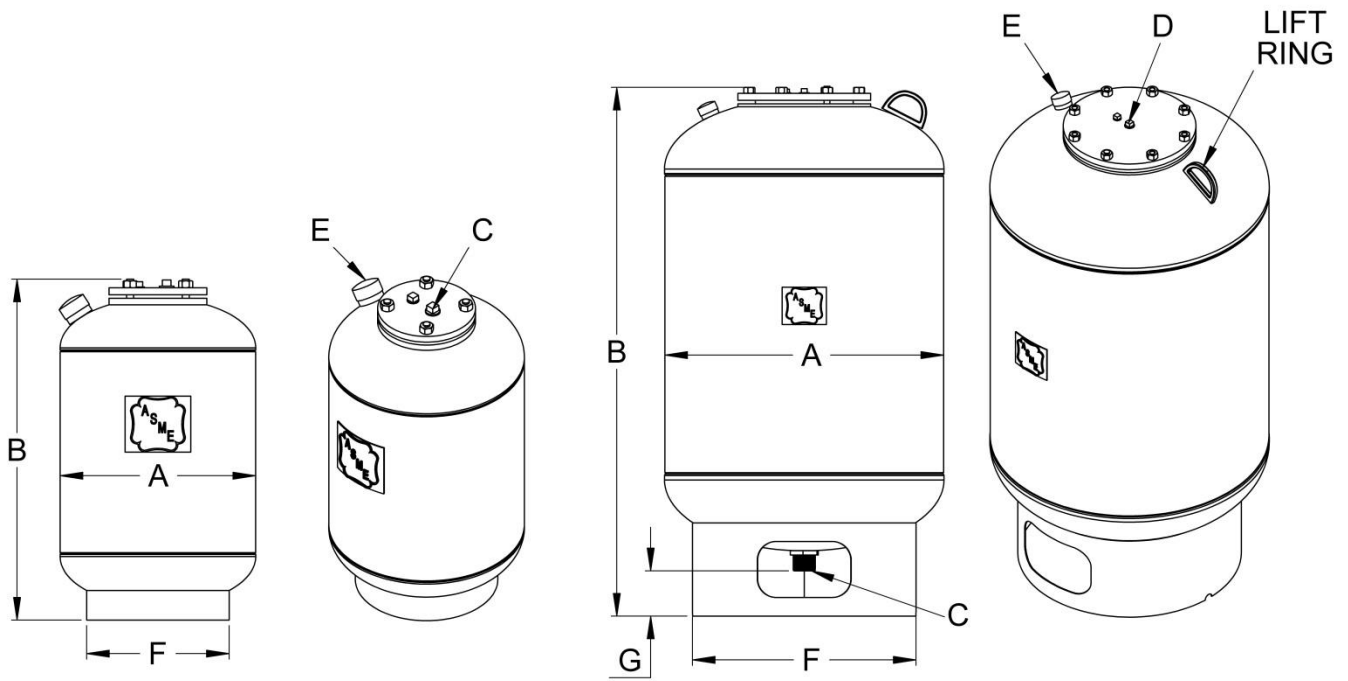
*200 & 250 PSIG available

Model Number	Part Number	Tank Volume (Gallons)	Tagging Information	Quantity
ZHXA-35	21010035	10		
ZHXA-50	21010050	13		
ZHXA-85	21010085	23		
ZHXA-130	21010130	35		
ZHXA-200	21010200	53		
ZHXA-300	21010300	79		
ZHXA-400	21010400	106		
ZHXA-500	21010500	132		
ZHXA-600	21010600	158		
ZHXA-800L	21010805	211		

Typical Specification

Furnish and install, as shown on plans, a _____ gallon _____" diameter X _____" (high) pre-charged steel hydro-pneumatic tank with replaceable heavy-duty butyl bladder. The tank shall have NPT epoxy lined system connections and a 0.302"-32 charging valve connection (standard tire valve) to facilitate the on-site charging of the tank to meet system requirements. The tank must be constructed in accordance with most recent addendum of Section VIII Division 1 of the ASME Boiler and Pressure Vessel Code.

Each tank shall be Zilmet USA model number ZHXA- _____ or approved equal.



ZHXA-35 & ZHXA-50

ZHXA-85 thru ZHXA-800L

Model Number	Dimensions in Inches						Approx. Ship Wt. (lbs)	
	A	B	System Connection		Charging Valve	F		G
			C	D	E			
ZHXA-35	12	23 1/2	3/4	-	0.302 -32NC	10	-	40
ZHXA-50	14	24						50
ZHXA-85	16	37	1	1/2		12	2	90
ZHXA-130	20					125		
ZHXA-200	24					43		210
ZHXA-300	24	55	1 1/2	3/4		20		225
ZHXA-400		49				300		
ZHXA-500	30	57	2	3/4		24		330
ZHXA-600		65				360		
ZHXA-800L		76				475		

Notes

- Tanks are factory pre-charged at 30 psi and field adjustable.
- California code-sight glass is available upon request.
- Both top and bottom connections (C and D) access the bladder.
- Bottom connection C is intended to be used for main water supply connection. Top connection D can be used for auxiliary gauge, pressure switch, etc.
- Available with mounting clips.



Submittal Form
ZHXA Series
 Hydro-Pneumatic Tank with
 Replaceable Bladder

Company Name: _____	Contact: _____
Bill to: _____	Date: _____
_____	Purchase Order No. _____
Ship to: _____	Notes _____
_____	_____

Description

Zilmet USA type ZHXA-700 tank is an ASME replaceable bladder type pre-charged hydro-pneumatic tank for commercial and industrial well and water systems, booster systems, or other potable water applications. This is designed to deliver water under pressure between pump cycles to provide sufficient flow to meet demands. The water is contained in a butyl bladder. All ZHXA hydro-pneumatic tanks can be installed vertically or horizontally.

Construction

Shell: Carbon Steel
 Bladder: Heavy Duty Butyl (FDA Approved)
 System Connection: Epoxy Lined

Performance Limitations

Maximum Design Temperature: 240°F
 Maximum Design Pressure: 200 PSIG*

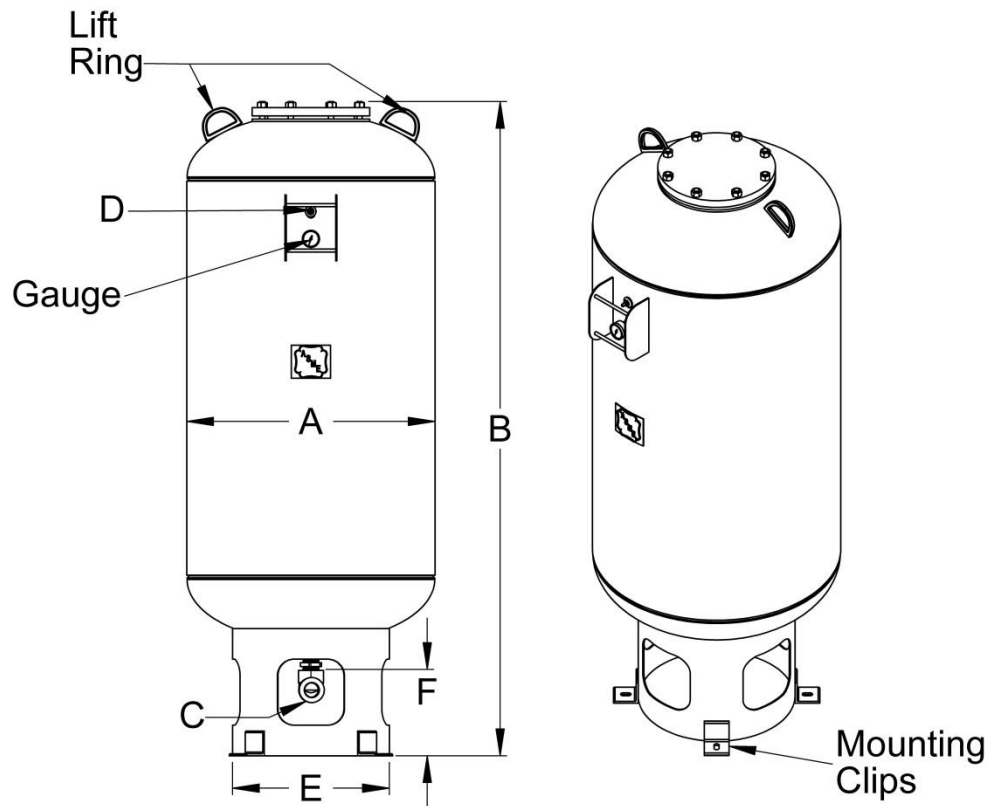
* 250 PSIG available

Model Number	Part Number	Tank Volume (Gallons)	Tagging Information	Quantity
ZHXA 700	21040715	185		

Typical Specification

Furnish and install, as shown on plans, a _____ gallon _____" diameter X _____" (high) pre-charged steel hydro-pneumatic tank with heavy-duty butyl bladder. The tank shall have bottom NPT system connections and a 0.302"-32 charging valve connection (standard tire valve) to facilitate the on-site charging of the tank to meet system requirements. The tank shall have a 1/4" NPT connection for relief valve and air pressure gauge. The tank will have a lifting ring and a floor mounting skirt for vertical installation. The tank must be constructed in accordance with most recent addendum of Section VIII Division 1 of the ASME Boiler and Pressure Vessel Code.

The tank shall be Zilmet USA model number ZHXA-700 or approved equal.



ZHXA-700

Model Number	Dimensions in Inches						Pressure Gauge	Approx. Ship Wt. (lbs)
	A	B	System Connection	Charging Valve	E	F		
			C	D				
ZHXA 700	30	80	1 1/2	0.302-32 NC	19	13 3/4	1/4	600

Notes

- Tanks are factory pre-charged at 30 psi and field adjustable.



Submittal Form
ZHXA Series
 Hydro-Pneumatic Tank with
 Replaceable Bladder

Company Name: _____	Contact: _____
Bill to: _____	Date: _____
_____	Purchase Order No. _____
Ship to: _____	Notes _____
_____	_____

Description

Zilmet USA type ZHXA tanks are ASME replaceable bladder type pre-charged hydro-pneumatic tanks for commercial and industrial well and water systems, booster systems, or other potable water applications. They are designed to deliver water under pressure between pump cycles to provide sufficient flow to meet demands. The water is contained in a butyl bladder. All ZHXA hydro-pneumatic tanks can be installed vertically or horizontally.

Construction

Shell: Carbon Steel
 Bladder: Heavy Duty Butyl (FDA Approved)
 System Connection: Epoxy lined

Performance Limitations

Maximum Design Temperature: 240°F
 Maximum Design Pressure: 125 PSIG*

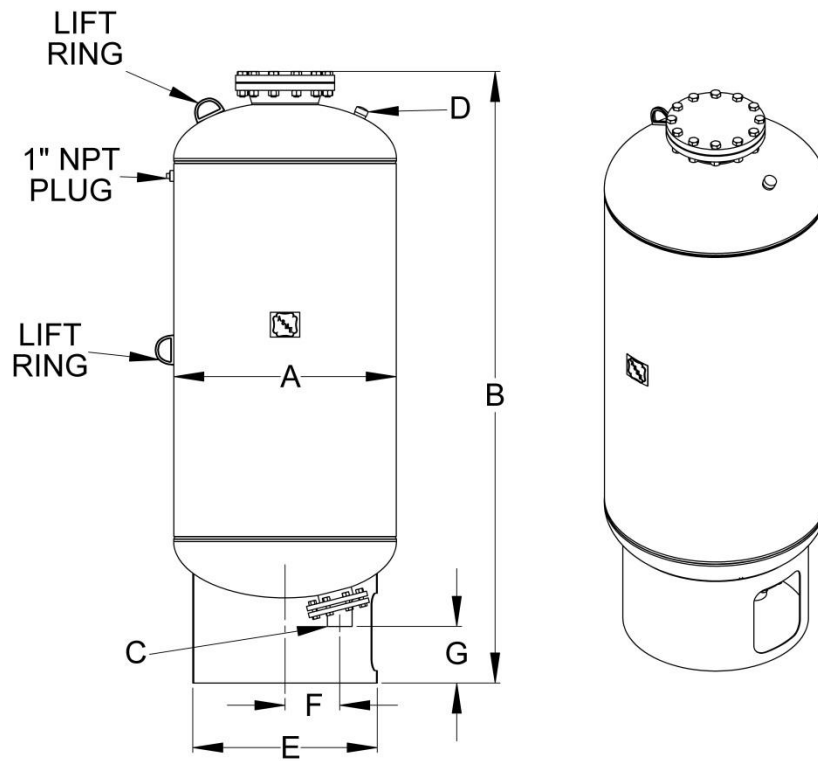
*200 & 250 PSIG available

Model Number	Part Number	Tank Volume (Gallons)	Tagging Information	Quantity
ZHXA-1000	21011000	264		
ZHXA-1200	21011200	317		
ZHXA-1400	21011400	370		
ZHXA-1600	21011600	422		
ZHXA-2000	21012000	528		
ZHXA-2500	21012500	660		
ZHXA-3000L	21013000	792		
ZHXA-3000S	21013001	792		
ZHXA-4000	21014000	1056		
ZHXA-5000	21015000	1320		
ZHXA-7500	21017500	1980		
ZHXA-10000	21019999	2640		
ZHXA-15000	21500000	3963		

Typical Specification

Furnish and install, as shown on plans, a _____ gallon _____" diameter X _____" (high) pre-charged steel hydro-pneumatic tank with replaceable heavy-duty butyl bladder. The tank shall have NPT epoxy lined system connections and a 0.302"-32 charging valve connection (standard tire valve) to facilitate the on-site charging of the tank to meet system requirements. The tank must be constructed in accordance with most recent addendum of Section VIII Division 1 of the ASME Boiler and Pressure Vessel Code.

Each tank shall be Zilmet USA model number ZHXA- _____ or approved equal.



ZHXA-1000 thru ZHXA-15000

Model Number	Dimensions in Inches							Approx. Ship Wt. (lbs)
	A	B	System Connection	Charging Valve	E	F	G	
			C	D				
ZHXA-1000	36	87	3	0.302 - 32NC	30	8	8 1/2	735
ZHXA-1200		98 1/2						745
ZHXA-1400		110 1/2						900
ZHXA-1600	48	84	4		42	9	8 3/4	1210
ZHXA-2000		96						1305
ZHXA-2500		110						1430
ZHXA-3000L	60	138	4		54	10	8 1/4	1575
ZHXA-3000S		93						2169
ZHXA-4000		115						2638
ZHXA-5000	72	138	4		60	11	8 1/4	3246
ZHXA-7500		140						4080
ZHXA-10000		172						4920
ZHXA-15000		243					6000	

Notes

- Tanks are factory pre-charged at 30 psi and field adjustable.
- California code-sight glass is available upon request.
- Tanks installed horizontally must have the system connection below the horizontal centerline of the tank.
- Available with mounting clips.



Submittal Form
ZHXT Series
 Hydro-Pneumatic Tank with
 Fixed Diaphragm

Company Name: _____	Contact: _____
Bill to: _____	Date: _____
_____	Purchase Order No. _____
Ship to: _____	Notes _____
_____	_____

Description

Zilmet USA type ZHXT tanks are ASME fixed diaphragm type pre-charged hydro-pneumatic tanks for commercial and industrial well and water systems, booster systems, or other potable water applications. They are designed to deliver water under pressure between pump cycles to provide sufficient flow to meet demands. The water is contained in a butyl diaphragm. All ZHXT tanks can be installed vertically or horizontally.

Construction

Shell: Carbon Steel
 Bladder: Heavy Duty Butyl (FDA Approved)
 System Connection: Epoxy Lined

Performance Limitations

Maximum Design Temperature: 240°F
 Maximum Design Pressure: 200 PSIG*

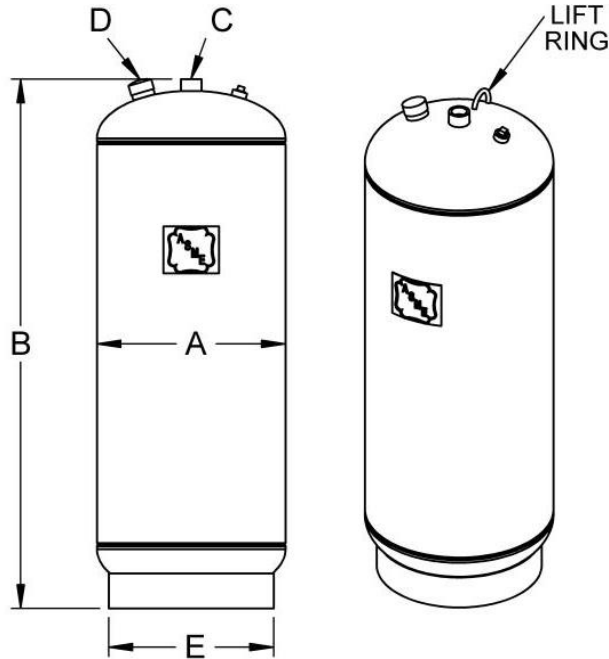
* 250 PSIG available

Model Number	Part Number	Tank Volume (Gallons)	Acceptance Volume (Gallons)	Tagging Information	Quantity
ZHXT 400	21009999	8	3.1		
ZHXT 401	21010000	15	10.5		
ZHXT 402	21010005	25	12		
ZHXT 403	21010010	35	12		
ZHXT 404	21010015	70	52.8		
ZHXT 405	21010020	90	52.8		
ZHXT 415	21010025	115	52.8		
ZHXT 440	21010030	140	52.8		
ZHXT 460	21010032	160	56		
ZHXT 480	21010034	210	84		

Typical Specification

Furnish and install, as shown on plans, a _____ gallon _____" diameter X _____" (high) pre-charged steel hydro-pneumatic tank with a fixed heavy-duty butyl diaphragm. The tank shall be equipped with a NPT system connection and a 0.302"-32 charging valve connection (standard tire valve) to facilitate the on-site charging of the tank to meet system requirements. The tank must be constructed in accordance with most recent addendum of Section VIII Division 1 of the ASME Boiler and Pressure Vessel Code.

Each tank shall be Zilmet USA model number ZHXT- _____ or approved equal.



ZHXT-400 thru ZHXT-480

Model Number	Dimensions in Inches					Approx. Ship Wt. (lbs)	
	A	B	System Connection	Charging Valve	E		
			C	D			
ZHXT 400	12	21	3/4	0.302-32 NC	10	34	
ZHXT 401	16	26	1		20	14	64
ZHXT 402		34					84
ZHXT 403		46					97
ZHXT 404		47					259
ZHXT 405	24	53	1 1/2		20	20	283
ZHXT 415		67					325
ZHXT 440		79					362
ZHXT 460	30	62	1 1/2		20	24	591
ZHXT 480		80					752

Notes

- Tanks are factory pre-charged at 30 psi and field adjustable.
- Lifting rings on models ZHXT-402 through ZHXT-480.
- Available with mounting clips.