



DATA SUBMITTAL

Microbubble Deaerator

Date: 11/2021

Models: ZU0001, ZU0002, ZU0003,
ZU0004, ZU0005, ZU0006

| | | |
|---------------------|---------------------|-------------|
| Job Name: _____ | Submitted By: _____ | Date: _____ |
| Job Location: _____ | Approved By: _____ | Date: _____ |
| _____ | Order No.: _____ | Date: _____ |
| Engineer: _____ | Notes: _____ | _____ |
| Contractor: _____ | _____ | _____ |
| Sales Rep.: _____ | _____ | _____ |

Description

The Zilmet Microbubble Deaerator is designed to vent trapped air within sealed systems at pressures up to 150psig. This helps to maintain optimum system efficiency, improves energy usage, reduces system corrosion, eliminates noise from system pipe work and helps to extend the working life of system heat pumps.

Construction:

Body: Brass
Internal Float: Plastic

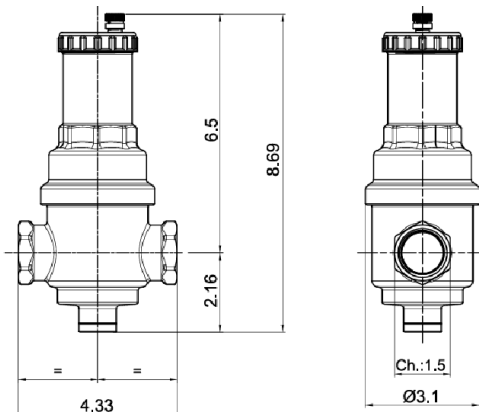
Performance Conditions

Max Design Temperature: 230°F
Max Operating Pressure: 150 PSIG

Connections:

ZU0001: ¾" NPT; ZU0002: 1" NPT; ZU0003: 1-1/4" NPT
ZU0004: ¾" SWT; ZU0005: 1" SWT; ZU0006: 1-1/4" SWT

ZU0001, ZU0002, ZU0003



ZU0004, ZU0005, ZU0006

