



SUBMITTAL

ZADS-SERIES
AIR & DIRT SEPARATOR

Models: ZADS-2 thru ZADS-12

Date: 03/2020

Job Name _____	Submitted By _____	Date _____
Location _____	Approved By _____	Date _____
_____	Order No. _____	Date _____
Engineer _____	Notes _____	
Contractor _____	_____	
Sales Rep. _____	_____	

Description

Zilmet ZADS series Air & Dirt Separators are designed to eliminate entrained air and separate debris associated with start-up and maintenance of any hydronic systems. The design incorporates a skim valve, used to eliminate floating debris, removable end cover for coalescing medium access, and an air vent to automatically release air from the separator.

Construction

Shell: Carbon Steel
 Coalescing Medium: Stainless Steel Blow Down Valve (optional): Bronze Skim Valve (optional): Bronze
 Vent (optional): Cast Iron
 Exterior: Primer Painted

Performance Limitations

Maximum Design Temperature: 250°F Maximum Design Pressure: 150 PSIG*

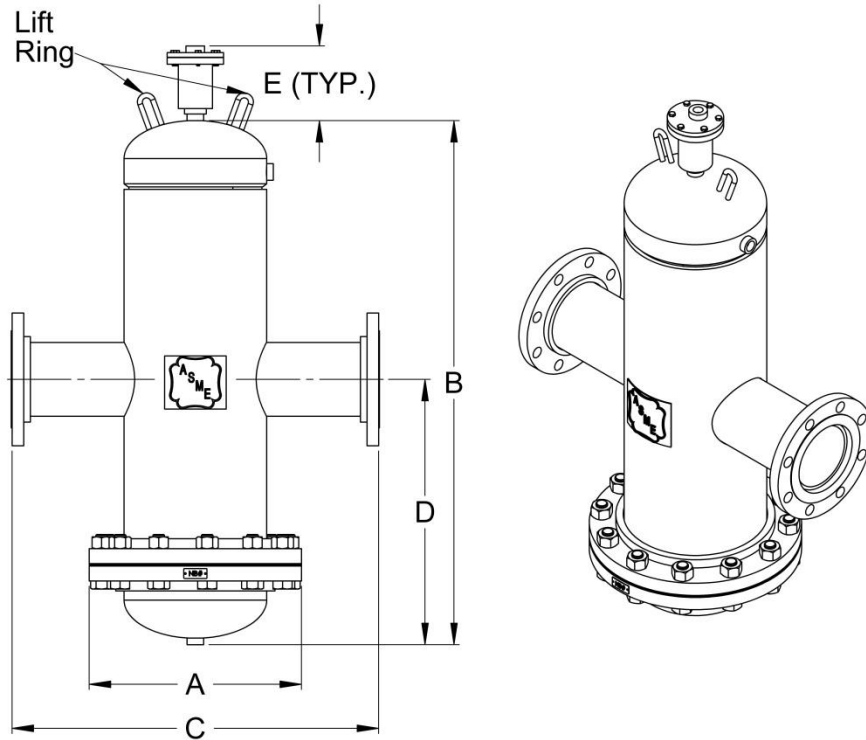
*125, 200 & 250 PSIG available

Model Number	Part Number	Max Flow (GPM)	Tagging Information	Quantity
ZADS-2	72302001	69		
ZADS-2-NPT	72302012	69		
ZADS-2.5	72302035	108		
ZADS-2.5-NPT	72302046	108		
ZADS-3	72302069	144		
ZADS-3-NPT	72302080	144		
ZADS-4	72302103	255		
ZADS-5	72302137	398		
ZADS-6	72302160	570		
ZADS-8	72302183	945		
ZADS-10	72302206	1440		
ZADS-12	72302229	2100		

Typical Specification

Furnish and install, as shown on plans, a ZADS- _____ Air & Dirt Separator as manufactured by Zilmet USA. Each separator must be designed with a blow down valve, skim valve, and automatic air vent. The separator must also utilize in its design a stainless steel coalescing medium to aid in the separation of air and dirt in the systems entrained water. The separator must be constructed in accordance with most recent addendum of Section VIII Division 1 of the ASME Boiler and Pressure Vessel Code and shall be constructed and stamped for 150 PSI working pressure @ 250°F.

Each air separator shall be Zilmet model number ZADS- _____ or approved equal.



ZADS-2 thru ZADS-12

Dimensions & Weights

Model Number	Dimensions in Inches						Approx Shipping Wt (lbs)
	Connection Size	A	B	C	D	E	
ZADS-2	2	9	23	15 1/4	11 1/2	8 5/8	100
ZADS-2-NPT				9			90
ZADS-2.5	2.5	10		15 3/4			125
ZADS-2.5-NPT			10 1/2	115			
ZADS-3	3	11	29	20 1/4	14 1/2		150
ZADS-3-NPT				12 3/4			130
ZADS-4	4	13 1/2		20 5/8			250
ZADS-5	5	16	39	27 3/4	19 1/2		310
ZADS-6	6	19		375			
ZADS-8	8	23 1/2	49	33 5/8	24 1/2		700
ZADS-10	10	27 1/2	65	37 1/2	32 1/2		1000
ZADS-12	12	32	76	42 1/2	38		1500

Notes

- Trim package is optional.