



SUBMITTAL

ZCBT-SERIES
CHILLED WATER BUFFER TANK

Models: ZCBT-120 thru ZCBT-1040

Date: 3/2020

Job Name _____	Submitted By _____	Date _____
Location _____	Approved By _____	Date _____
_____	Order No. _____	Date _____
Engineer _____	Notes _____	
Contractor _____	_____	
Sales Rep. _____	_____	

Description

Zilmet ASME Chilled Water Buffer Tanks (ZCBT) are designed for chilled water systems with insufficient water volume capacity in relation to the chiller capacity. Relatively low water volume systems require additional "buffer" capacity for the systems to eliminate problems such as excessive chiller cycling, poor temperature control, and erratic system operation. The properly sized CBT adds the necessary volume to "buffer" the system volume.

Construction

Shell: Carbon Steel
Exterior: Primer Painted

Performance Limitations

Maximum Design Temperature: 450°F
Maximum Design Pressure: 125 PSIG*

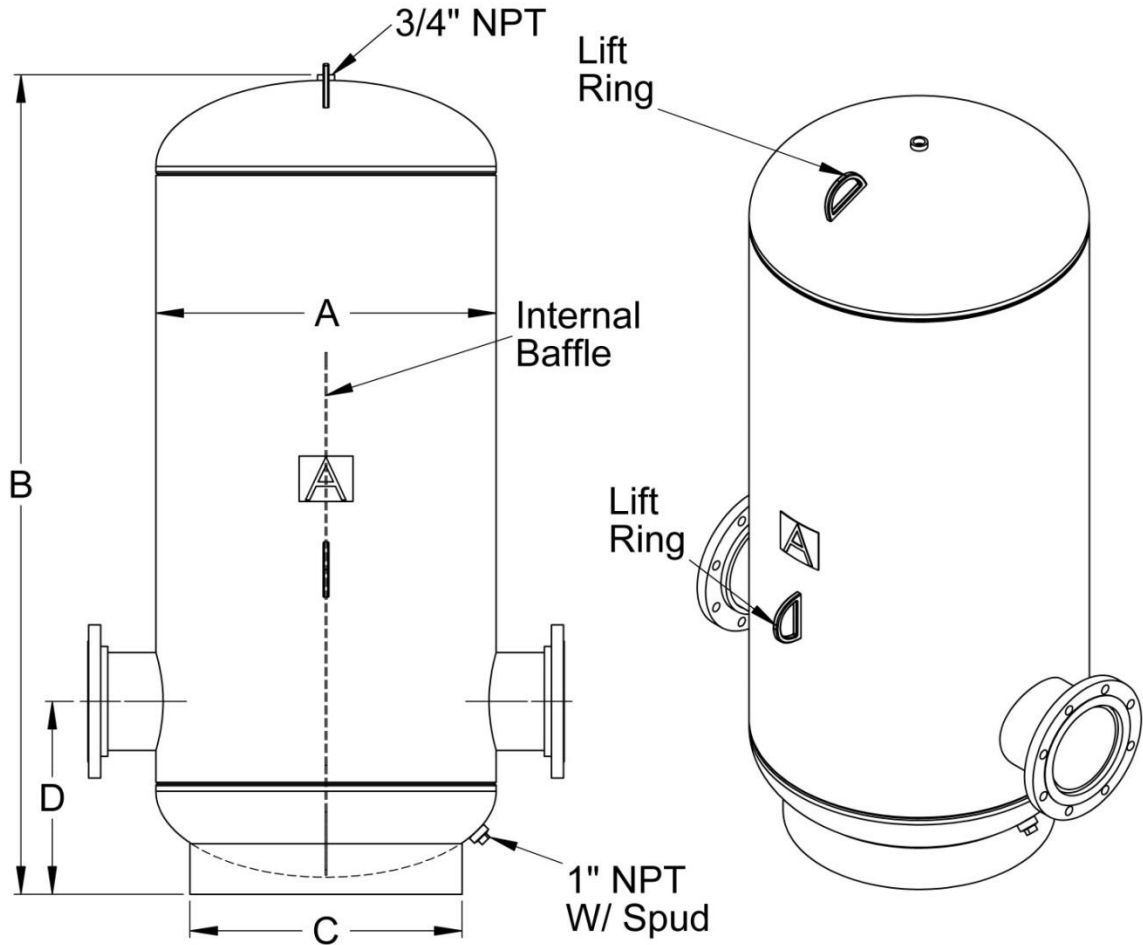
*200 & 250 PSIG available

Model Number	Part Number	Tank Volume (Gallons)	Tagging Information	Quantity
ZCBT-120	55240120	120		
ZCBT-200	55300200	200		
ZCBT-300	55360300	300		
ZCBT-500	55420500	500		
ZCBT-850	55540850	850		
ZCBT-1040	55601040	1040		

Typical Specification

Furnish and install, as shown on plans, a ZCBT- _____ as manufactured by Zilmet USA. The tank shall incorporate a baffle to promote tank water storage temperature stratification. The system water connections must be _____" (NPT/flanged/grooved). The ZCBT must be constructed in accordance with the most recent addendum of Section VIII Division 1 of the ASME Boiler and Pressure Vessel Code and constructed and stamped for 125 PSI working pressure @ 450°F.

Each tank shall be Zilmet model number ZCBT- _____ or approved equal.



ZCBT-120 thru ZCBT-1040

Dimensions & Weights

Model Number	Dims. In Inches			(D In Inches) for Various Connections								Max. Shipping Wt (lbs)
	A	B	C	2" Flg	2 1/2" Flg	3" Flg	4" Flg	5" Flg	6" Flg	8" Flg	10" Flg	
ZCBT-120	24	60	20	12	12 1/4	12 1/2	13	14	14	15	16	410
ZCBT-200	30	72	24	14	14 1/4	14 1/2	15	16	16	17	18	555
ZCBT-300	36		30	15 3/4	15 3/4	16	16 1/2	17	17 1/2	18 1/2	19 1/2	690
ZCBT-500	42	90	36	17 1/2	17 3/4	18	18 1/2	19	19 1/2	20 1/2	21 1/2	1150
ZCBT-850	54	96	48	21	21 1/4	21 1/2	22	23	23	24	25	1945
ZCBT-1040	60		54	22 3/4	23	23 1/4	23 3/4	24 1/4	24 3/4	25 3/4	26 3/4	2138

Notes:

- Insulation optional
- Larger size, grooved, or NPT connections available
- For 3" flange or smaller add 8" to tank diameter for face-to-face dimensions
- For 4" flange or larger add 12" to tank diameter for face-to-face dimensions