



SUBMITTAL

ZHBT-SERIES

2-PORT HOT WATER BUFFER TANK

Models: ZHBT-120 thru ZHBT-300

Date: 3/2020

Job Name _____	Submitted By _____	Date _____
Location _____	Approved By _____	Date _____
_____	Order No. _____	Date _____
Engineer _____	Notes _____	
Contractor _____	_____	
Sales Rep. _____	_____	

Description

Zilmet ASME 2-Port Hot Water Buffer Tanks (ZHBT) are designed for use with today's high efficiency systems that incorporate small modular low-mass boiler. These small volume systems require additional "buffer" capacity for the systems to eliminate problems such as excessive boiler cycling, poor temperature control, and erratic system operation. The properly sized ZHBT adds the necessary thermal mass to the system to dampen fast transitions and minimize boiler cycling that occurs during zero or low domestic load conditions.

Construction

Shell: Carbon Steel
Exterior: Primer Painted

Performance Limitations Maximum

Design Temperature: 450°F Maximum
Design Pressure: 125 PSIG*

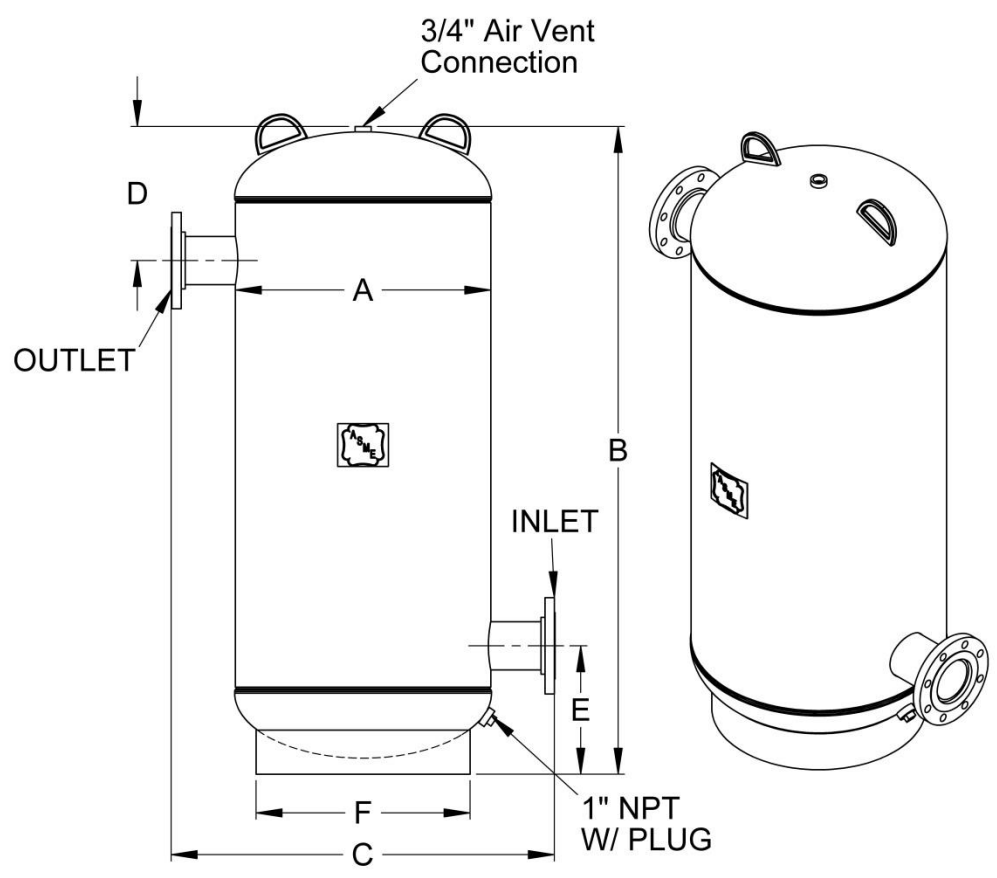
*200 & 250 PSIG available

Model Number	Part Number	Tank Volume (Gallons)	Tagging Information	Quantity
ZHBT-120	55621200	120		
ZHBT-210	55622100	210		
ZHBT-300	55623000	300		

Typical Specification

Furnish and install, as shown on plans, a ZHBT-_____ as manufactured by Zilmet USA. The system water connections must be _____" (NPT/flanged/grooved). The ZHBT must be constructed in accordance with the most recent addendum of Section VIII Division 1 of the ASME Boiler and Pressure Vessel Code and constructed and stamped for 125 PSI working pressure @ 450°F.

Each tank shall be Zilmet model number ZHBT-_____ or approved equal.



ZHBT-120 thru ZHBT-300

Dimensions & Weights

Model Number	Dimensions In Inches							Max. Shipping Wt (lbs)
	A	B	C		D	E	F	
			< 3" FLG	> 4" FLG				
ZHBT-120	24	60	32	36	11 1/2	13	20	248
ZHBT-210	30	75	38	42	13 1/2	15	24	458
ZHBT-300	36	72	44	48	15	16 1/2	30	781

Notes:

- Inlets and outlets available in 2" NPT, 3" NPT, 3" Flanged, and 4" Flanged.
- Dimension "C" applies to flanged models only.
- Manway installation is optional.
- Insulation available.