







**Submittal Form**  
**ZHXA Series**  
 Hydro-Pneumatic Tank with  
 Replaceable Bladder

Company Name: _____	Contact: _____
Bill to: _____	Date: _____
_____	Purchase Order No. _____
Ship to: _____	Notes _____
_____	_____

**Description**

Zilmet USA type ZHXA-700 tank is an ASME replaceable bladder type pre-charged hydro-pneumatic tank for commercial and industrial well and water systems, booster systems, or other potable water applications. This is designed to deliver water under pressure between pump cycles to provide sufficient flow to meet demands. The water is contained in a butyl bladder. All ZHXA hydro-pneumatic tanks can be installed vertically or horizontally.

**Construction**

Shell: Carbon Steel  
 Bladder: Heavy Duty Butyl (FDA Approved)  
 System Connection: Epoxy Lined

**Performance Limitations**

Maximum Design Temperature: 240°F  
 Maximum Design Pressure: 200 PSIG\*

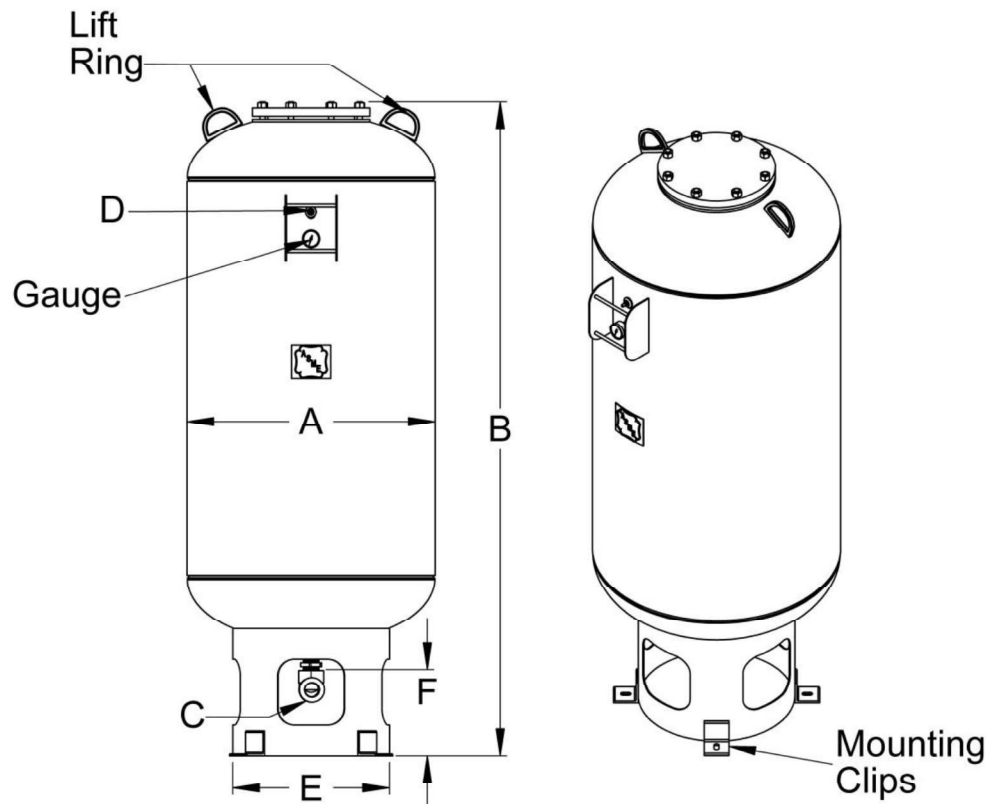
\* 250 PSIG available

Model Number	Part Number	Tank Volume (Gallons)	Tagging Information	Quantity
ZHXA 700	21040715	185		

**Typical Specification**

Furnish and install, as shown on plans, a \_\_\_\_\_ gallon \_\_\_\_\_" diameter X \_\_\_\_\_" (high) pre-charged steel hydro-pneumatic tank with heavy-duty butyl bladder. The tank shall have bottom NPT system connections and a 0.302"-32 charging valve connection (standard tire valve) to facilitate the on-site charging of the tank to meet system requirements. The tank shall have a ¼" NPT connection for relief valve and air pressure gauge. The tank will have a lifting ring and a floor mounting skirt for vertical installation. The tank must be constructed in accordance with most recent addendum of Section VIII Division 1 of the ASME Boiler and Pressure Vessel Code.

The tank shall be Zilmet USA model number ZHXA-700 or approved equal.



ZHXA-700

Model Number	Dimensions in Inches						Pressure Gauge	Approx. Ship Wt. (lbs)
	A	B	System Connection	Charging Valve	E	F		
			C	D				
ZHXA 700	30	80	1 1/2	0.302-32 NC	19	13 3/4	1/4	600

**Notes**

- Tanks are factory pre-charged at 40 psi and field adjustable.
- California code-sight glass is standard.
- Pressure gauge and side mounted air stem are standard.
- Available with seismic restraint mounting clips.
- 304 and 316 Stainless steel ASME tanks available upon request.



**Submittal Form**  
**ZHXA Series**  
 Hydro-Pneumatic Tank with  
 Replaceable Bladder

Company Name: _____	Contact: _____
Bill to: _____	Date: _____
_____	Purchase Order No. _____
Ship to: _____	Notes _____
_____	_____

**Description**

Zilmet USA type ZHXA tanks are ASME replaceable bladder type pre-charged hydro-pneumatic tanks for commercial and industrial well and water systems, booster systems, or other potable water applications. They are designed to deliver water under pressure between pump cycles to provide sufficient flow to meet demands. The water is contained in a butyl bladder. All ZHXA hydro-pneumatic tanks can be installed vertically or horizontally.

**Construction**

Shell: Carbon Steel  
 Bladder: Heavy Duty Butyl (FDA Approved)  
 System Connection: Epoxy lined

**Performance Limitations**

Maximum Design Temperature: 240°F  
 Maximum Design Pressure: 125 PSIG\*

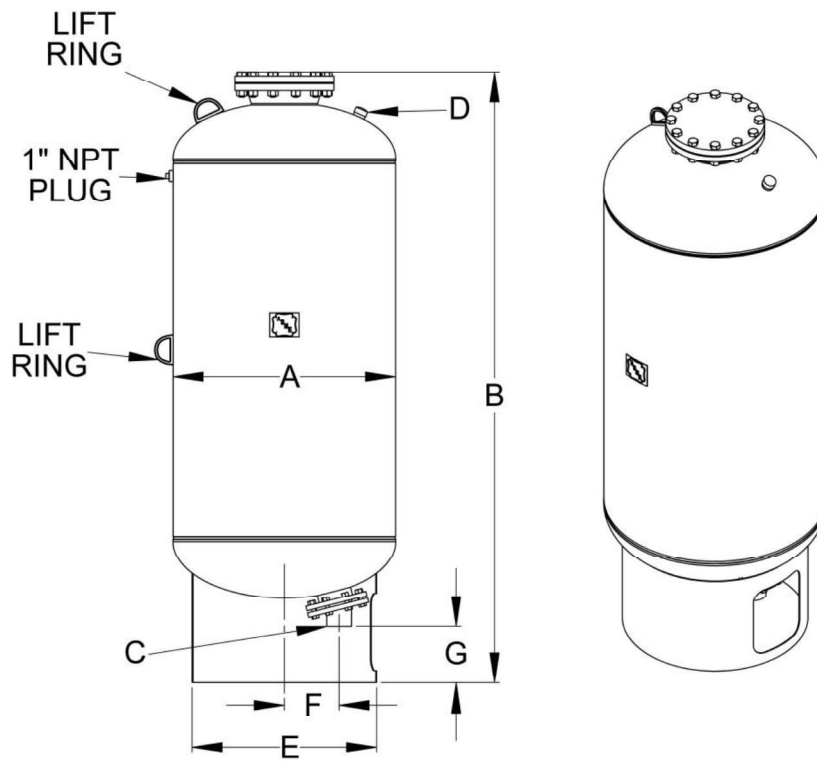
\*200 & 250 PSIG available

Model Number	Part Number	Tank Volume (Gallons)	Tagging Information	Quantity
ZHXA-1000	21011000	264		
ZHXA-1200	21011200	317		
ZHXA-1400	21011400	370		
ZHXA-1600	21011600	422		
ZHXA-2000	21012000	528		
ZHXA-2500	21012500	660		
ZHXA-3000L	21013000	792		
ZHXA-3000S	21013001	792		
ZHXA-4000	21014000	1056		
ZHXA-5000	21015000	1320		
ZHXA-7500	21017500	1980		
ZHXA-10000	21019999	2640		
ZHXA-15000	21500000	3963		

**Typical Specification**

Furnish and install, as shown on plans, a \_\_\_\_\_ gallon \_\_\_\_\_" diameter X \_\_\_\_\_" (high) pre-charged steel hydro-pneumatic tank with replaceable heavy-duty butyl bladder. The tank shall have NPT epoxy lined system connections and a 0.302"-32 charging valve connection (standard tire valve) to facilitate the on-site charging of the tank to meet system requirements. The tank must be constructed in accordance with most recent addendum of Section VIII Division 1 of the ASME Boiler and Pressure Vessel Code.

Each tank shall be Zilmet USA model number ZHXA- \_\_\_\_\_ or approved equal.



ZHXA-1000 thru ZHXA-15000

Model Number	Dimensions in Inches							Approx. Ship Wt. (lbs)
	A	B	System Connection	Charging Valve	E	F	G	
			C	D				
ZHXA-1000	36	87	3	0.302 - 32NC	30	8	8 1/2	735
ZHXA-1200		98 1/2						745
ZHXA-1400		110 1/2						900
ZHXA-1600	48	84	4		42	9	8 3/4	1210
ZHXA-2000		96						1305
ZHXA-2500		110						1430
ZHXA-3000L	60	138	4		54	10	8 1/4	1575
ZHXA-3000S		93						2169
ZHXA-4000		115						2638
ZHXA-5000		138						3246
ZHXA-7500		140						4080
ZHXA-10000		172						4920
ZHXA-15000	72	243		60	11		6000	

**Notes**

- Tanks are factory pre-charged at 40 psi and field adjustable.
- California code-sight glass is standard.
- Pressure gauge and side mounted air stem are standard.
- Available with seismic restraint mounting clips.
- 304 and 316 Stainless steel ASME tanks available upon request.
- Tanks installed horizontally must have the system connection below the horizontal centerline of the tank.