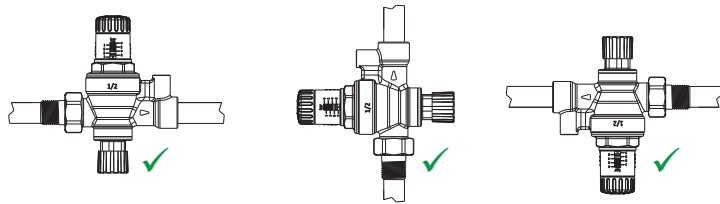
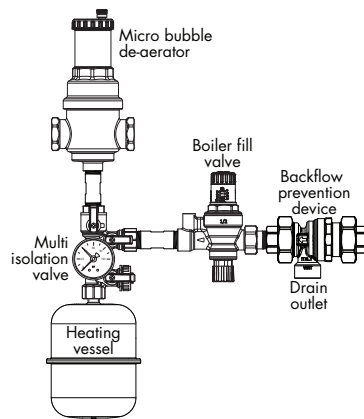


Installation

- Always install a filter upstream of the filling valve in the system.
- It is recommended to fit independent isolating valves upstream and downstream of the filling valve to allow any maintenance work to be safely carried out.
- Flush the system thoroughly prior to installing the valve to prevent any damage.
- The ZILMET boiler fill valve can be mounted in any orientation as shown but the direction of flow must be in the same direction as the cast on arrow.



Typical Application



- The boiler fill valve will automatically feed water directly into the system
- The boiler fill valve should only be used when the system is almost full to fill the final amount.

ZILMET USA
400 FRENCHTOWN ROAD
EAST GREENWICH
RI 02818

T. (401) 884 4943
E. INFO@ZILMETUSA.COM

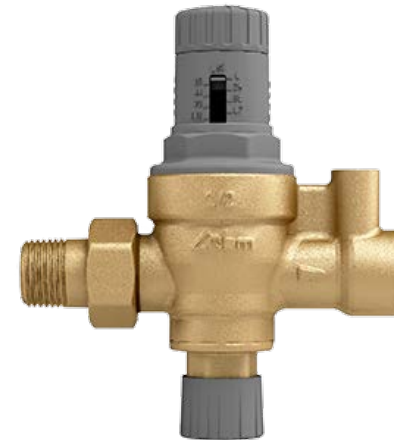
WWW.ZILMETUSA.COM

6-3-2019

ZILMET

Boiler Fill Valve

Installation and Maintenance Instructions



Introduction

The boiler fill valve automatically refills the system by introducing fluid into the heating system.

During normal operation of a heating system, part of the fluid is lost through the de-aerator in the form of steam mixed with gases, that constantly develop in the system.

The space left by the fluid if not replaced will be occupied by gases, which when dissolved, form acidic solutions that can lead to corrosion.

The pressure reducing valve cartridge has a compensated seat so upstream pressure variations do not affect the outlet pressure and adjustment.

A graduated control knob allows the outlet pressure to be adjusted without the aid of a pressure gauge or adjustment tools.

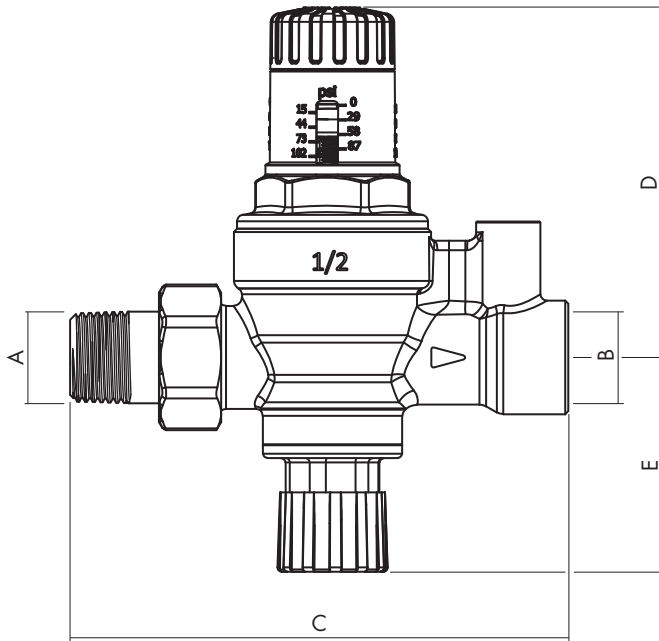
The unit also includes a check valve and isolating valve.

Products

Boiler Fill Valve 1/2" NPT Threaded Connections

ZU0007

Dimensions

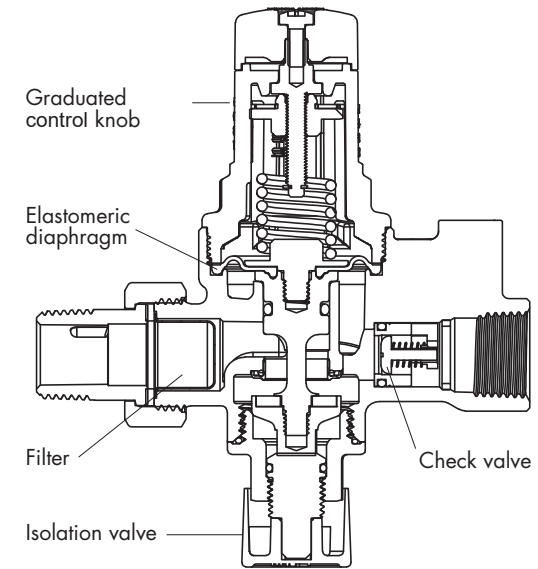


Code	A	B	C	D	E	F
ZU0007	1/2" - NPT	1/2" - NPT	4.57"	3.21"	6.52"	1.97"

Technical Specification

Fluid:	Water
Maximum glycol percentage:	50%
Maximum temperature:	230°F
Maximum working pressure:	150 psi
Pressure setting range:	7.5 to 100 psi

Components



- The graduated control knob allows the outlet pressure to be adjusted easily.
- The isolation valve when closed stops the fluid from flowing and stops the refill function. This is useful during system maintenance or if there is a failure in any part of the system.
- The check valve prevents the fluid from returning to the water source.

Control of the Pressure Reducing Valve



The control of the pressure reducing valve must be carried out with the system full and all outlets closed, otherwise values would be affected during possible supply as the downstream pressure decrease in relation to the amount of required flow.

The unit is controlled by turning the knob clockwise to increase the pressure and anti-clockwise to reduce it.

Open outlets to check the stability of the setting.

NOTE: With the system operational, the pressure indicated on the pressure gauge may increase by the over pressure of the thermal system, a possible correction must be made with the all the water outlets closed and at ambient temperature.