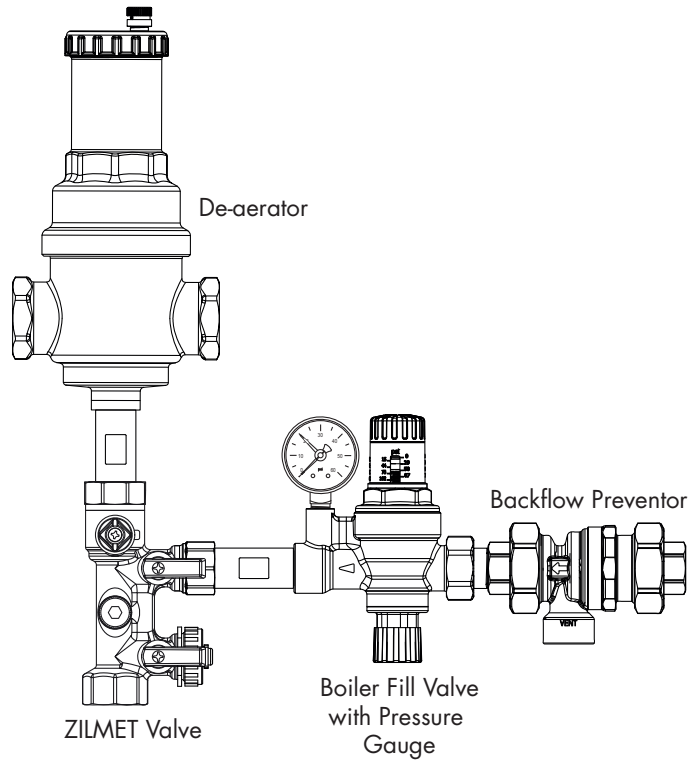


## Typical Installation

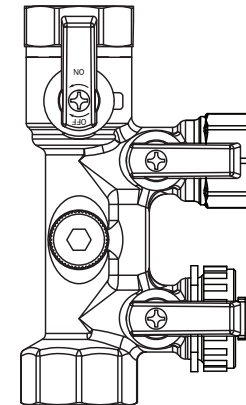
The ZILMET multi isolation Valve as part of a typical assembly of other ZILMET products on the inlet from the water supply to a boiler and other water outlets.



# ZILMET

## Multi Isolation Valve

### Installation and Maintenance Instructions



### Introduction

The ZILMET multi isolation valve is a compact unit containing two flow isolation valves, a drain valve with blanking cap and a pressure gauge port.

The ZILMET multi isolation valve is normally installed as part of a boiler kit assembly on a water inlet.

The valve links a backflow preventer and filling valve with a de-aerator before the water is piped to a system.

ZILMET USA  
400 FRENCHTOWN ROAD  
EAST GREENWICH  
RI 02818

T. (401) 884 4943  
E. INFO@ZILMETUSA.COM

[WWW.ZILMETUSA.COM](http://WWW.ZILMETUSA.COM)

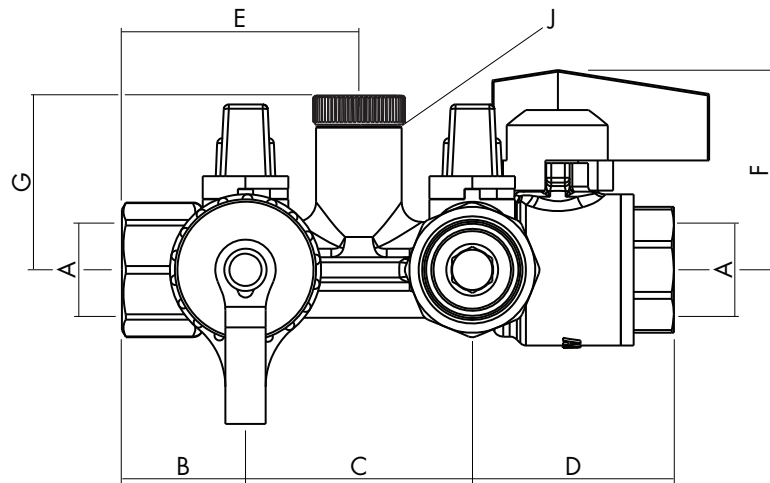
9-29-2020

## Products

ZILMET Multi Isolation Valve ½" NPT Threaded Connections

ZU0020

## Dimensions



A	B	C	D	E	F	G	J
½"- NPT	0.96"	1.77"	1.58"	1.85"	1.58"	1.40"	¼"- NPT

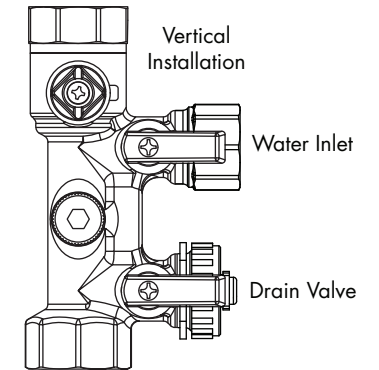
## Technical Specification

Fluid:	Water
Maximum glycol percentage:	30%
Maximum temperature:	176°F
Maximum working pressure:	230 psi

## Installation

The ZILMET multi isolation valve is normally installed in vertical pipe with the drain valve at the lowest position.

Use the hexagons on the body to hold it when screwing in the pipe to the various connections, do not squeeze the body with tools that could damage it.



## Locking Feature

After the ball valve has been operated to the fully open position, the outlet port can be locked to prevent unauthorised closing of the port.

Remove the lever retaining screw and pull the lever away from the valve, rotate through 180 degrees and refit so that the notch in the lever fits over the lug on the body.

Refit and tighten the lever retaining screw.

