



DATA SUBMITTAL

Microbubble Deaerator

Date: 5/2020

Models: ZU0001, ZU0002, ZU0003,
ZU0004, ZU0005, ZU0006

Job Name: _____	Submitted By: _____	Date: _____
Job Location: _____	Approved By: _____	Date: _____
_____	Order No.: _____	Date: _____
Engineer: _____	Notes: _____	_____
Contractor: _____	_____	_____
Sales Rep.: _____	_____	_____

Description

The Zilmet Microbubble Deaerator is designed to vent trapped air within sealed systems at pressures up to 150psig. This helps to maintain optimum system efficiency, improves energy usage, reduces system corrosion, eliminates noise from system pipe work and helps to extend the working life of system heat pumps.

Construction:

Body: Brass
Internal Float: Plastic

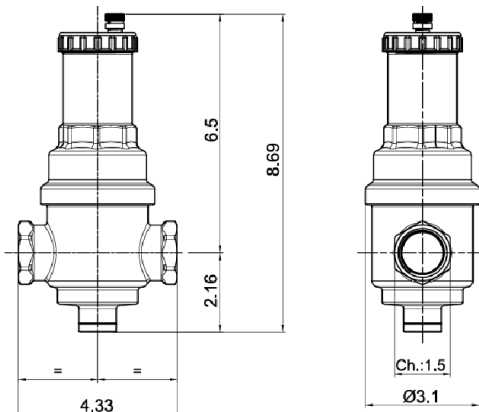
Performance Conditions

Max Design Temperature: 230°F
Max Operating Pressure: 150 PSIG

Connections:

ZU0001: ¾" NPT; ZU0002: 1" NPT; ZU0003: 1-1/4" NPT
ZU0004: ¾" SWT; ZU0005: 1" SWT; ZU0006: 1-1/4" SWT

ZU0001, ZU0002, ZU0003



ZU0004, ZU0005, ZU0006

