



Submittal Form

ZTTA Series

Thermal Expansion Tank with Fixed Diaphragm

Date: 11/2020

Company Name: _____	Contact: _____
Bill to: _____	Date: _____
_____	Purchase Order No. _____
Ship to: _____	Notes _____
_____	_____

Description

Zilmet USA ZTTA series are ASME fixed bladder type pre-charged thermal expansion tanks for commercial and industrial potable hot water applications. They are designed to be installed between a backflow preventor and a hot water heater to accept the expanded volume of hot water keeping the system pressure below the relief valve setting. The water is contained in a butyl bladder.

Construction

Shell: Carbon Steel
Bladder: Heavy-duty Butyl (FDA Approved)
System Connection: Stainless Steel

Performance Limitations

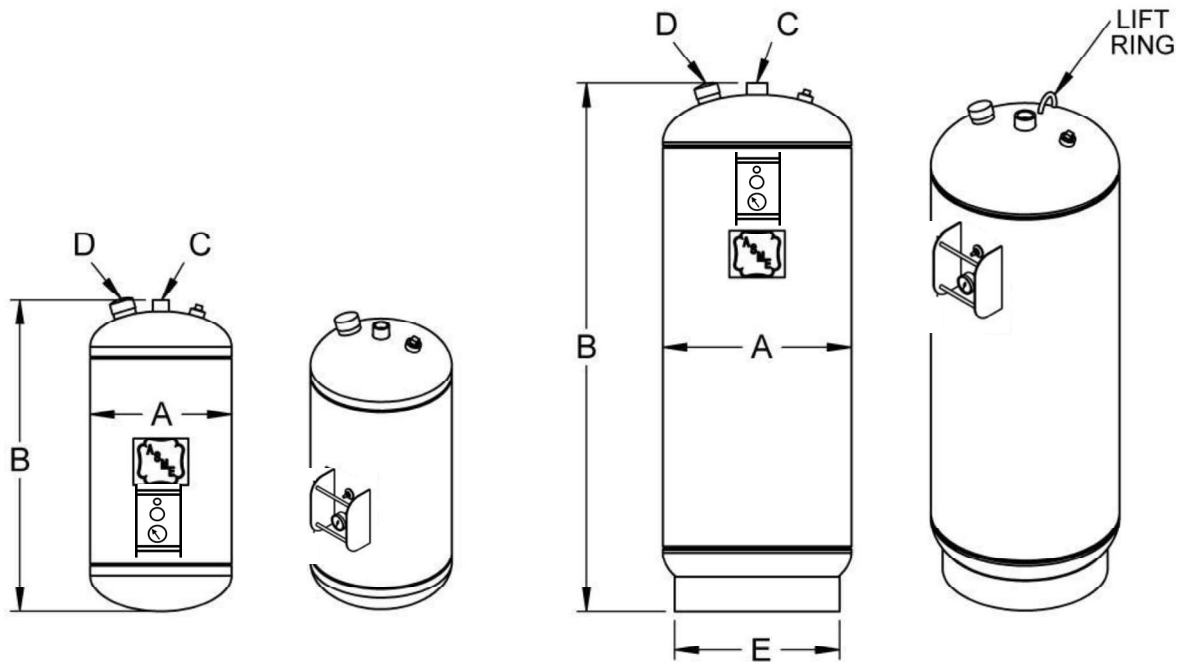
Maximum Design Temperature: 240°F
Maximum Design Pressure: 150 PSIG*

*200 & 250 PSIG available

Model Number	Part Number	Tank Volume (Gallons)	Acceptance Volume (Gallons)	Tagging Information	Quantity
ZTTA-5	18020005	3.5	2.3		
ZTTA-12	18020012	5	3.3		
ZTTA-20	18020020	8	5.3		
ZTTA-30	18020030	15	10		
ZTTA-42	18020042	22	14.5		
ZTTA-60	18020060	26	17.5		
ZTTA-80	18020080	35	23.5		
ZTTA-100	18020100	45	30		
ZTTA-125	18020125	60	40		
ZTTA-160	18020160	70	47		
ZTTA-180	18020180	80	53		
ZTTA-210	18020210	90	60		

Furnish and install, as shown on plans, a _____ gallon _____" diameter X _____" (high) pre-charged steel thermal expansion tank with a fixed FDA approved heavy-duty butyl diaphragm. The tank shall be equipped with a NPT stainless steel system connection and a 0.302"-32 charging valve connection (standard tire valve) to facilitate the on-site charging of the tank to meet system requirements. The tank must be constructed in accordance with most recent addendum of Section VIII Division 1 of the ASME Boiler and Pressure Vessel Code, and stamped 150 psi working pressure.

Each tank shall be Zilmet USA model number ZTTA-_____ or approved equal.



ZTTA-5 & ZTTA-12

ZTTA-20 thru ZTTA-210

Model Number	Dimensions in Inches					Approx. Ship Weight (lbs)
	A	B	System Connection	Charging Valve	E	
			C	D		
ZTTA-5	10	14	3/4	0.302" -32NC	-	22
ZTTA-12	12	14			-	28
ZTTA-20		20			10	34
ZTTA-30	16	23	1	0.302" -32NC	14	64
ZTTA-42		31				88
ZTTA-60		34				93
ZTTA-80		45				109
ZTTA-100	20	39	1-1/2	0.302" -32NC	18	148
ZTTA-125		50				175
ZTTA-160		47				259
ZTTA-180	24	50	1-1/2	0.302" -32NC	22	268
ZTTA-210		53				283

Notes

- Tanks are factory pre-charged at 40 psi and field adjustable.
- California code-sight glass is standard.
- Pressure gauge and side mounted air stem are standard.
- Available with seismic restraint mounting clips.
- 304 and 316 Stainless steel ASME tanks available upon request.
- Lift ring on models ZTTA-20 thru TTA-210