



**SUBMITTAL**

**ZPSAV-SERIES**  
ASME PRIMARY/SECONDARY HEADER  
with internal Air and Dirt Separator

**Models:** ZPSAV-2 thru ZPSAV-16

Date: 3/2020

Job Name _____	Submitted By _____	Date _____
Location _____	Approved By _____	Date _____
_____	Order No. _____	Date _____
Engineer _____	Notes _____	
Contractor _____	_____	
Sales Rep. _____	_____	

**Description**

Zilmet USA Primary/Secondary ASME Headers are used in heating and cooling systems that require the primary and secondary loops of their system to be interlocked. The ZPSAV is designed to keep both connected hydraulic circuits completely independent from one another. The ZPSAV replaces the need for an air/dirt separator. Internal coalescence coils in the tank eliminate entrained air and separate debris associated with start-up and maintenance of the system.

**Construction**

Shell: Carbon Steel  
Coalescing Medium: Stainless Steel

**Performance Limitations**

Maximum Design Temperature: 450°F  
Maximum Design Pressure: 150 PSIG\*

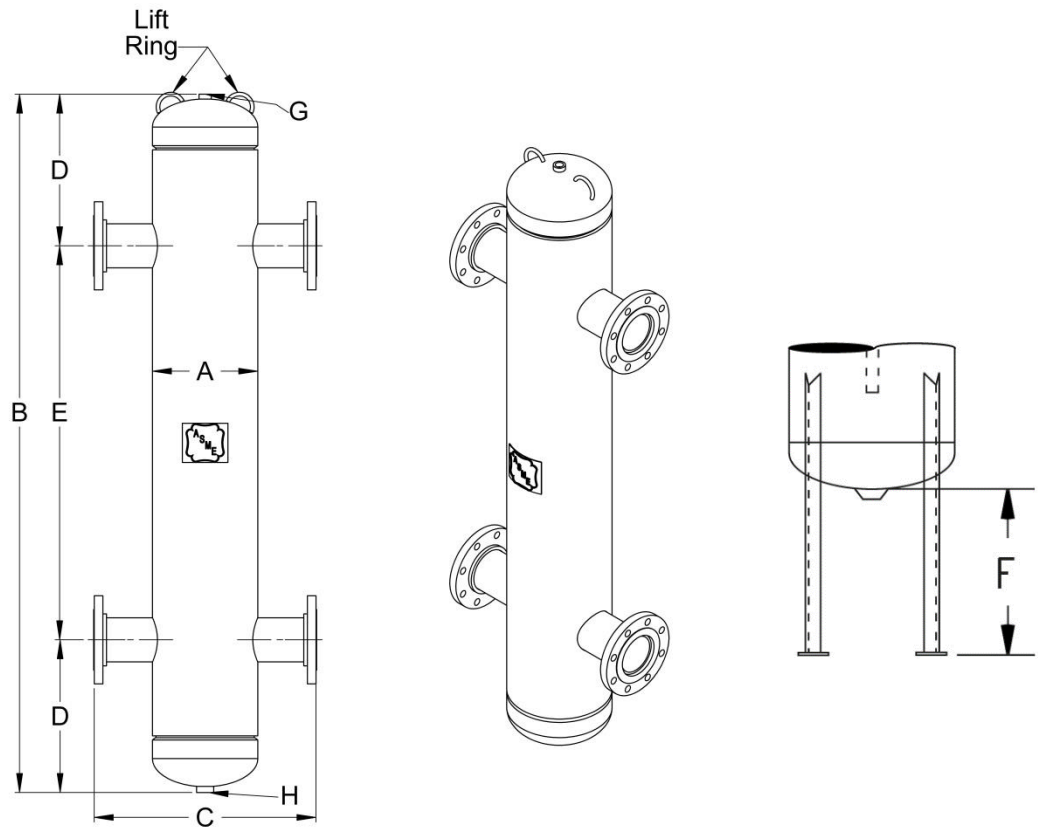
\*200 & 250 PSIG available

Model Number	Part Number	Flow Rate (GPM)	Tagging Information	Quantity
ZPSAV-2	71102020	69		
ZPSAV-2.5	71102025	108		
ZPSAV-3	71102030	144		
ZPSAV-4	71102040	255		
ZPSAV-5	71102050	398		
ZPSAV-6	71102060	570		
ZPSAV-8	71102080	945		
ZPSAV-10	71102100	1440		
ZPSAV-12	71102120	2100		
ZPSAV-14	71102140	2550		
ZPSAV-16	71102160	3300		

**Typical Specification**

Furnish and install, as shown on plans, a ZPSAV-\_\_\_\_\_ as manufactured by Zilmet USA Company. The Primary/Secondary Header must also utilize in its design a stainless steel coalescing medium to aid in the separation of air and dirt in the system's entrained water. The ZPSAV must be constructed in accordance with the most recent addendum of Section VIII, Division 1 of the ASME Boiler and Pressure Vessel Code and shall be constructed and stamped for 150 PSI working pressure @ 450°F.

Each tank shall be Zilmet model number ZPSAV-\_\_\_\_\_ or approved equal.



ZPSAV-2 thru ZPSAV-16

**Dimensions & Weights**

Model Number	Dimensions in Inches									Approx Shipping Wt (lbs)
	Connection Size	A	B	C	D	E	F	G	H	
ZPSAV-2	2	6 5/8	34 1/4	14 3/4	6 3/4	20 3/4	-	1/2	1/2	90
ZPSAV-2.5	2 1/2		39 1/4		7 1/4	24 3/4				115
ZPSAV-3	3	49 1/2	9 3/8	30 3/4	225					
ZPSAV-4	4	10 3/4	70 1/4	22 3/4	15	40 1/4	14	1	330	
ZPSAV-5	5	14	80 1/2	26		50 1/2			415	
ZPSAV-6	6	18	93 3/4	30	16 1/2	60 3/4			420	
ZPSAV-8	8	24	122 3/4	36	21 3/8	80	575			
ZPSAV-10	10	30	149 1/4	42	24 1/2	100 1/4	14	1	1	935
ZPSAV-12	12		179 1/2		30	119 1/2				1165
ZPSAV-14	14	42	199 1/4	54	34	131 1/4				2
ZPSAV-16	16	48	224 1/4	60	37 1/8	150	3260			