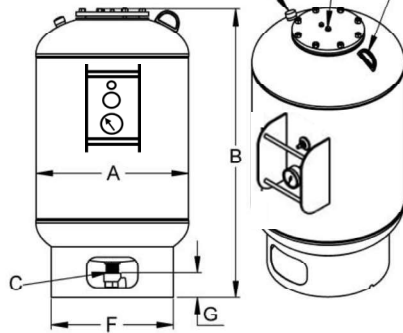
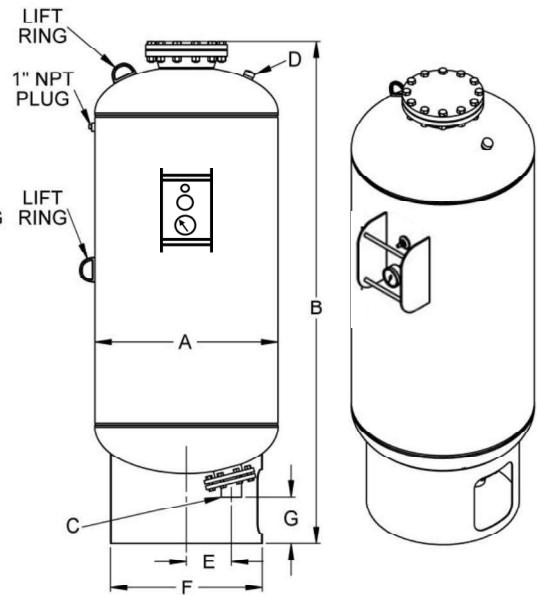


ZTXA-35 & ZTXA-50



ZTXA-85 thru ZTXA-800L



ZTXA-1000 thru ZTXA-2000

Model Number	Dimension in Inches							Approx. Ship Wt. (lbs)
	A	B	System Connection	Charging Valve	E	F	G	
			C	D				
ZTXA-35	12	23 1/2	3/4	0.302" - 32NC	-	10	-	40
ZTXA-50	14	24				10		50
ZTXA-85	16	37	1			12	5 1/4	90
ZTXA-130	20					16		132
ZTXA-200	24	43	1 1/2			20		220
ZTXA-300		55				236		
ZTXA-400	30	49	2		24	4 3/4		315
ZTXA-500		57						347
ZTXA-600	32	65	3		28	8	378	
ZTXA-800L		76					503	
ZTXA-1000	36	86 1/2	3		8	30	8	795
ZTXA-1200		98 1/2						820
ZTXA-1400		110 1/2		980				
ZTXA-1600		48		84				9
ZTXA-2000	96		1525					

**Notes**

- Tanks are factory pre-charged at 40 psi and field adjustable.
- California code-sight glass is standard.
- Pressure gauge and side mounted air stem are standard.
- Available with seismic restraint mounting clips.
- 304 and 316 Stainless steel ASME tanks available upon request.